



Doors

[Plenum Access Doors](#)

[Duct Access Doors](#)

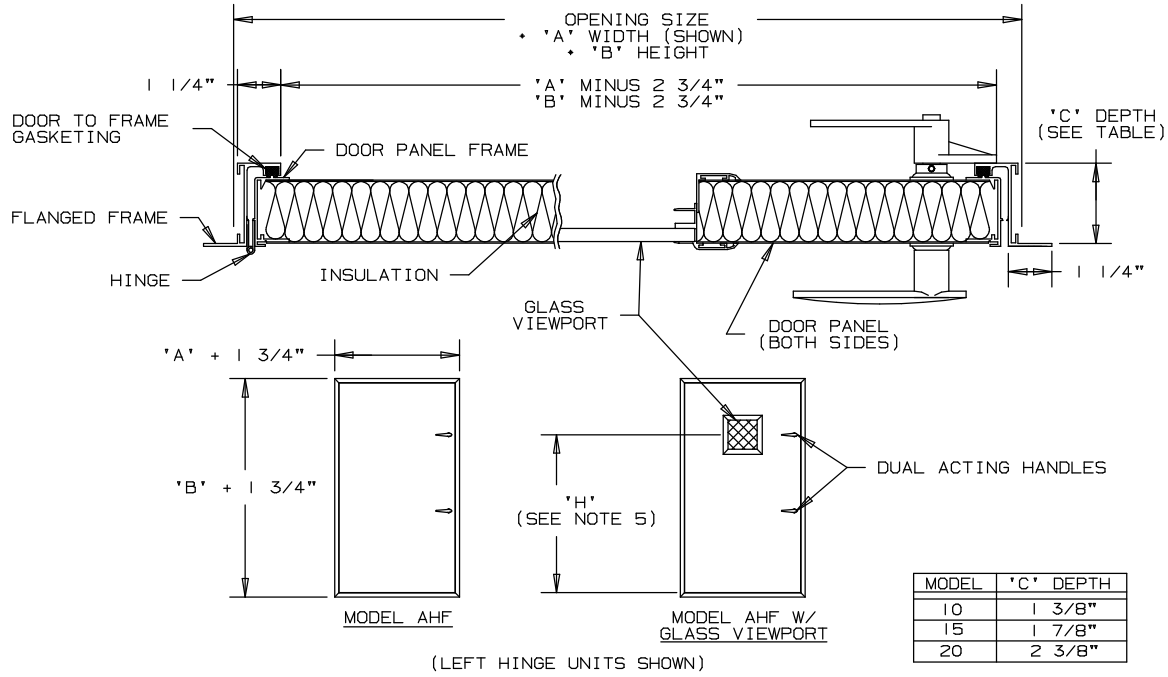


Plenum Access Doors & View Ports

- 985 [AHF 1", 1.5" & 2" Standard Plenum Access \(Out-Swing\) Doors](#)
- 986 [AHF 1", 1.5" & 2" Standard Plenum Access \(In-Swing\) Doors](#)
- 987 [AHF40 4" Standard Plenum Access \(Out-Swing\) Door](#)
- 988 [AHF40I 4" Standard Plenum Access \(In-Swing\) Door](#)
- 992 [AHFT2 2" Thermal Break Plenum Access \(Out-Swing\) Door](#)
- 993 [AHFT2I 2" Thermal Break Plenum Access \(In-Swing\) Door](#)
- 994 [AHFT4 4" Thermal Break Plenum Access \(Out-Swing\) Door](#)
- 995 [AHFT4I 4" Thermal Break Plenum Access \(In-Swing\) Door](#)
- 989 [AHFZ2 2" Zero Leak Plenum Access \(Out-Swing\) Door](#)
- 991 [AHFZ2I 2" Zero Leak Plenum Access \(In-Swing\) Door](#)
- 997 [AHH10, 15 and 20 1", 1.5" & 2" Fabricated Plenum Access \(Out-Swing\) Doors](#)
- 998 [AHH10I, 15I and 20I 1", 1.5" and 2" Fabricated Plenum Access \(In-Swing\) Doors](#)
- 999 [Complete Viewport Assemblies for Plenum Access Doors](#)
- 1001 [AHF40 Double Door With Stationary Astragal](#)
- 1002 [AHF40 Double Door With Mullion Assembly](#)
- 1003 [AHF10, 15, 20D Double Access Door With Astragal](#)
- 1004 [Latch Mounting Locations on AHF Series Double Doors w/ Astragal](#)
- 1006 [Latch Mounting Locations on AHF Series Double Doors w/ Removable Mullion](#)
- 1008 [AHF10, 15, 20D Double Access Door With Mullion Assembly](#)
- 983 [Austin-Romtech Non-Locking and Locking Out-Swing Door Latch Installation](#)
- 984 [Austin-Romtech Non-Locking and Locking In-Swing Door Latch Installation](#)
- 996 [AHF, AHFZ and AHFT Door Installation Instructions](#)

ARROW (OUT-SWING ONLY) STANDARD ACCESS DOOR

TYPE AHF



SCHEDULE

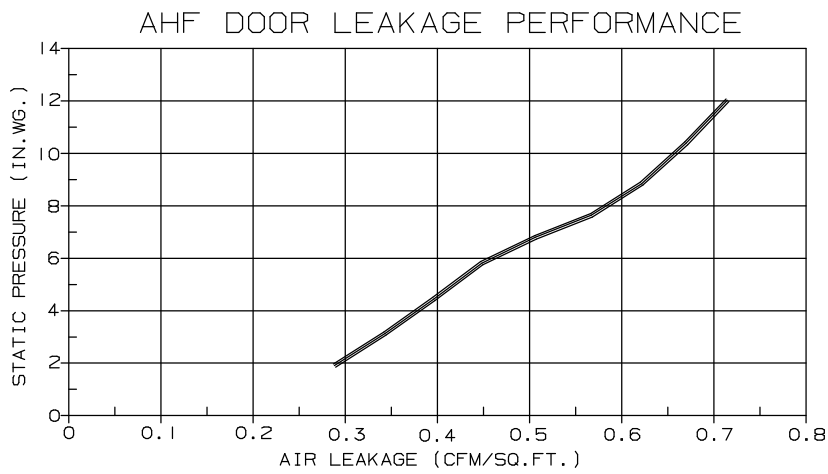
ITEM	QTY	MODEL			OPENING SIZE		NON-STANDARD VIEWPORT LOCATION ** (SEE NOTE 5) *H* (WHEN REQ'D)	IDENTIFICATION
		AHF	10	15	20	**VIEWPORT L/H R/H		
		AHF						
		AHF						

NOTES

- HINGE ALWAYS FURNISHED ON 'B' HEIGHT DIMENSION.
- (G) DESIGNATES DOORS WITH GLASS VIEWPORTS SPECIFY (L/H) LEFT HAND OR (R/H) RIGHT HAND HINGE WHEN VIEWING FROM THE OUTSIDE.
- 9" x 9" GLASS VIEWPORT NOT AVAILABLE ON UNITS UNDER 18" IN WIDTH AND 12" x 12" VIEWPORTS NOT AVAILABLE ON UNITS UNDER 21" IN WIDTH.
- UNLESS OTHERWISE SPECIFIED, DOOR WILL BE FABRICATED 1/4" UNDER LISTED SIZE. DIMENSIONAL TOLERANCE IS ±.075.
- UNLESS OTHERWISE SPECIFIED, STANDARD VIEWPORT LOCATIONS ARE AS FOLLOWS:
 H = *B* - 11" (±1") WHEN 'B' IS 20" TO 60"
 H = 48" (±1") WHEN 'B' IS GREATER THAN 60"
 WHEN SPECIFYING NON-STANDARD VIEWPORT LOCATIONS, *H* CANNOT BE GREATER THAN *B* - 11"
- MINIMUM SIZE 12" WIDE x 12" HIGH
 MAXIMUM SIZE 48" WIDE x 96" HIGH
 (WIDTH CANNOT EXCEED 2x HEIGHT)
- OPTIONAL MATERIALS AVAILABLE FOR THE FOLLOWING COMPONENTS:
 DOOR PANELS-BONDERIZED STEEL, ALUMINUM OR STAINLESS STEEL
 VIEWPORT GLASS-SINGLE PANE: PLEXIGLASS
 DOUBLE PANE: 1/4" WIRE
 1/4" WIRE THERMAL PANE
 HANDLES-CHROME PLATED
- PLEASE REFER TO INSTALLATION INSTRUCTIONS FOR MOUNTING OF HANDLES, AND DOOR ASSEMBLY MOUNTING.

SPECIFICATIONS

FLANGED FRAME .080-6063-T5 EXTRUDED ALUMINUM			DOOR PANELS 20 GA. GALVANIZED STEEL			HINGE STAINLESS STEEL CONTINUOUS TYPE			PROJECT/LOCATION
DOOR PANEL FRAME .080-6063-T5 EXTRUDED ALUMINUM			INSULATION 2.25 LB. DENSITY POLYURETHANE FOAM			VIEWPORT GLASS (SINGLE PANE) 1/4" WIRE (9"x9" STANDARD) (12"x12" OPTIONAL)			ARCHITECT/ENGINEER
HANDLES DUAL ACTING DIE CAST ZINC			GASKET CONTINUOUS LENGTH EXTRUDED FOAMED SANTOPRENE			FINISH MILL			CONTRACTOR
ARROW UNITED INDUSTRIES A DIVISION OF MESTEK, INC. 314 RIVERSIDE DRIVE WYALUSING, PA 18853 TEL: (570) 746-1888 FAX: (570) 746-9286									
ACCESS DOOR-MODELS AHF 10, 15, 20						DRAWN BY LCC		DRAWING NO.	
						DATE 2/11/02		9-100	

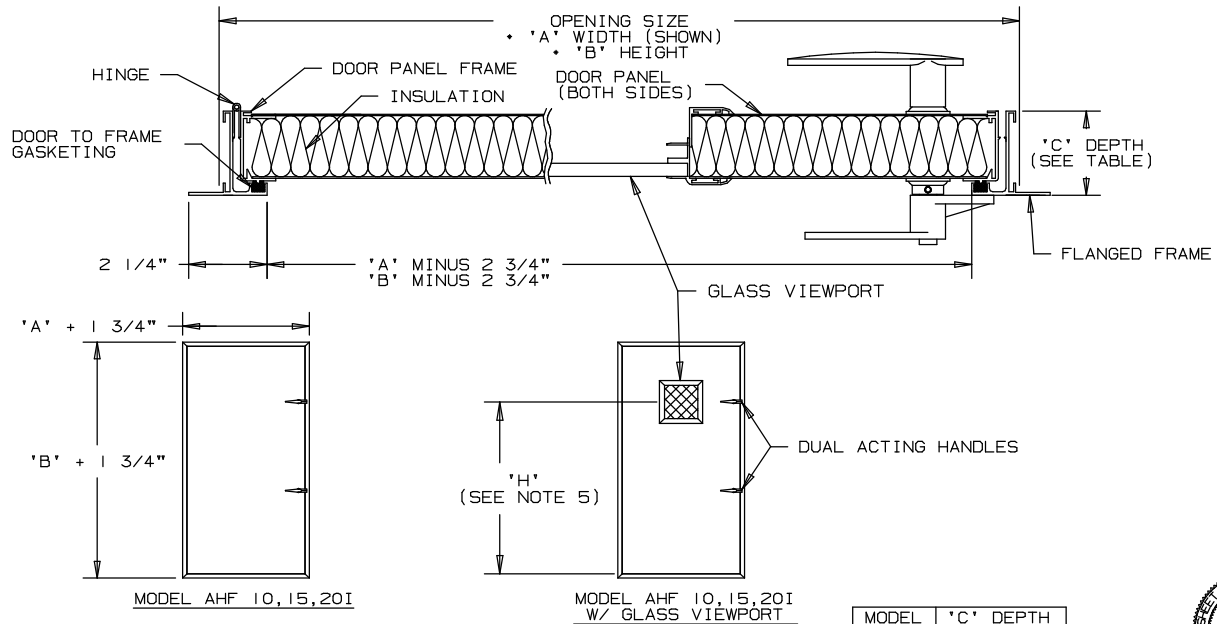


MODEL AHF-10 & AHF-20 WATER LEAKAGE PERFORMANCE

WATER LEAKAGE RESULTS ARE BASED UPON TESTING PER ASTM E 331-86 "WATER PENETRATION OF EXTERIOR WINDOWS, CURTAIN WALLS, AND DOORS BY A UNIFORM STATIC AIR PRESSURE DIFFERENCE". THE TESTS CONSISTED OF MOUNTED DOORS UNDER A PRESSURE DIFFERENCE OF 2" WG AND SUBJECTING THEM TO A UNIFORM WATER SPRAY FOR 15 MINUTES. THE SPRAY WAS EQUIVALENT TO A TORRENTIAL RAINFALL RATE OF 8 INCHES/HOUR. OVER THE 15 MINUTE PERIOD MODEL AHF-10 AND AHF-20 (24"x60") DOORS ALLOWED APPROXIMATELY 0.4 GALLONS OF WATER PENETRATION (3.5 FL OZ./MIN.).

ARROW (IN-SWING ONLY) STANDARD ACCESS DOOR

TYPE AHF



MODEL AHF 10, 15, 20

MODEL AHF 10, 15, 20
W/ GLASS VIEWPORT

MODEL	'C' DEPTH
10	1 3/8"
15	1 7/8"
20	2 3/8"



(LEFT HINGE UNITS SHOWN)


SCHEDULE

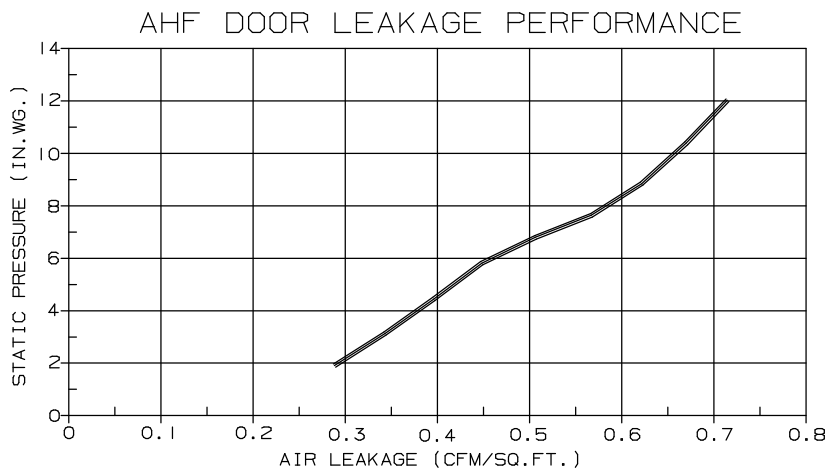
ITEM	QTY	MODEL				OPENING SIZE		NON-STANDARD VIEWPORT LOCATION ** (SEE NOTE 5) 'H' (WHEN REQ'D)	IDENTIFICATION
		AHF	10	15	20	I	**VIEWPORT L/H R/H		
		AHF				I			
		AHF				I			

NOTES

- HINGE ALWAYS FURNISHED ON 'B' HEIGHT DIMENSION.
- (G) DESIGNATES DOORS WITH GLASS VIEWPORTS SPECIFY (L/H) LEFT HAND OR (R/H) RIGHT HAND HINGE WHEN VIEWING FROM THE OUTSIDE.
- 9" x 9" GLASS VIEWPORT NOT AVAILABLE ON UNITS UNDER 18" IN WIDTH AND 12" x 12" VIEWPORTS NOT AVAILABLE ON UNITS UNDER 21" IN WIDTH.
- UNLESS OTHERWISE SPECIFIED, DOOR WILL BE FABRICATED 1/4" UNDER LISTED SIZE. DIMENSIONAL TOLERANCE IS ±.075.
- UNLESS OTHERWISE SPECIFIED, STANDARD VIEWPORT LOCATIONS ARE AS FOLLOWS:
'H' = 'B' - 11" (±1") WHEN 'B' IS 20" TO 60"
'H' = 48" (±1") WHEN 'B' IS GREATER THAN 60"
WHEN SPECIFYING NON-STANDARD VIEWPORT LOCATIONS, 'H' CANNOT BE GREATER THAN 'B' - 11"
- MINIMUM SIZE 12" WIDE x 12" HIGH
MAXIMUM SIZE 48" WIDE x 96" HIGH
(WIDTH CANNOT EXCEED 2x HEIGHT)
- OPTIONAL MATERIALS AVAILABLE FOR THE FOLLOWING COMPONENTS:
DOOR PANELS-BONDERIZED STEEL, ALUMINUM OR STAINLESS STEEL
VIEWPORT GLASS-SINGLE PANE: PLEXIGLASS
DOUBLE PANE: 1/4" WIRE
1/4" WIRE THERMAL PANE
HANDLES-CHROME PLATED
- PLEASE REFER TO INSTALLATION INSTRUCTIONS FOR MOUNTING OF HANDLES, AND DOOR ASSEMBLY MOUNTING.

SPECIFICATIONS

SPECIFICATIONS			PROJECT/LOCATION
<u>FLANGED FRAME</u> .080-6063-T5 EXTRUDED ALUMINUM	<u>DOOR PANELS</u> 20 GA. GALVANIZED STEEL	<u>HINGE</u> STAINLESS STEEL CONTINUOUS TYPE	ARCHITECT/ENGINEER
<u>DOOR PANEL FRAME</u> .080-6063-T5 EXTRUDED ALUMINUM	<u>INSULATION</u> 2.25 LB. DENSITY POLYURETHANE FOAM	<u>VIEWPORT GLASS (SINGLE PANE)</u> 1/4" WIRE (9"x9" STANDARD) (12"x12" OPTIONAL)	CONTRACTOR
	<u>HANDLES</u> DUAL ACTING DIE CAST ZINC	<u>FINISH</u> MILL	SALES ENGINEER
	<u>GASKET</u> CONTINUOUS LENGTH EXTRUDED FOAMED SANTOPRENE		 ARROW UNITED INDUSTRIES A DIVISION OF MESTEK, INC. 314 RIVERSIDE DRIVE WYALUSING, PA 18853 TEL: (570) 746-1888 FAX: (570) 746-9286
ACCESS DOOR-MODELS AHF 10, 15, 20			DRAWING NO. 9-101
DRAWN BY LCC			
DATE 2/12/02			

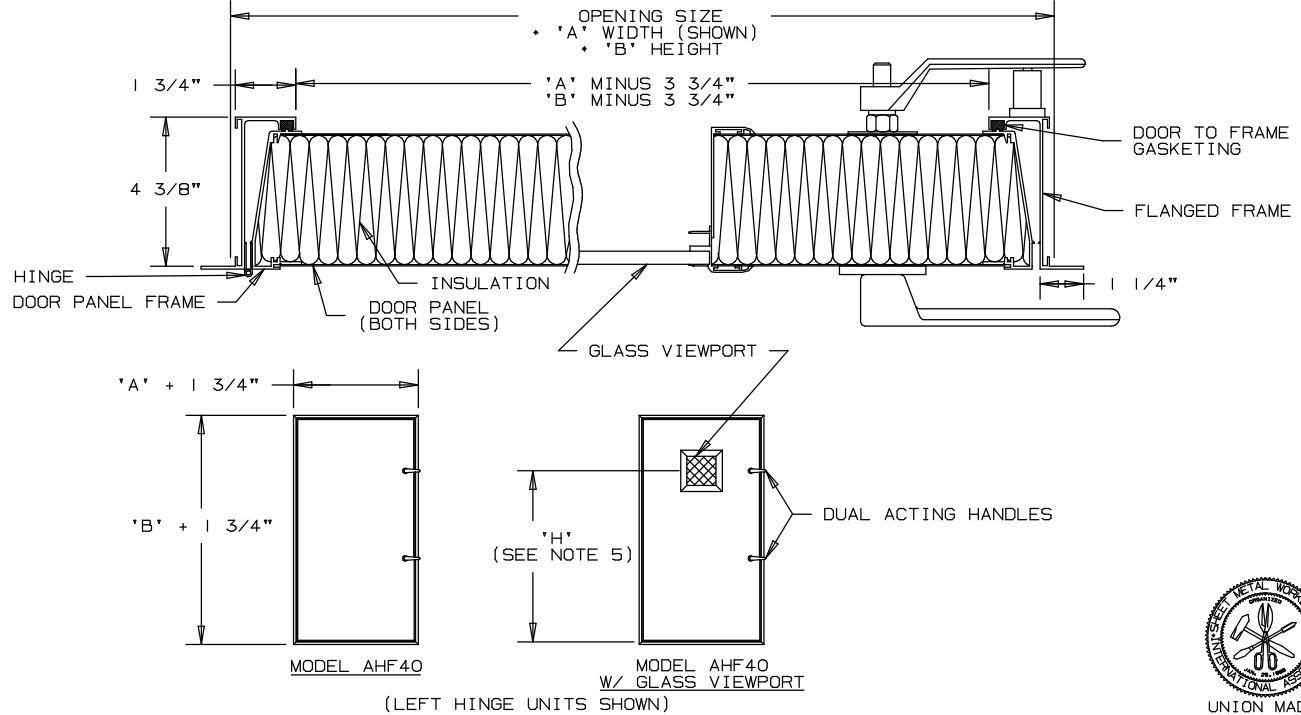


MODEL AHF-10 & AHF-20 WATER LEAKAGE PERFORMANCE

WATER LEAKAGE RESULTS ARE BASED UPON TESTING PER ASTM E 331-86 "WATER PENETRATION OF EXTERIOR WINDOWS, CURTAIN WALLS, AND DOORS BY A UNIFORM STATIC AIR PRESSURE DIFFERENCE". THE TESTS CONSISTED OF MOUNTED DOORS UNDER A PRESSURE DIFFERENCE OF 2" WG AND SUBJECTING THEM TO A UNIFORM WATER SPRAY FOR 15 MINUTES. THE SPRAY WAS EQUIVALENT TO A TORRENTIAL RAINFALL RATE OF 8 INCHES/HOUR. OVER THE 15 MINUTE PERIOD MODEL AHF-10 AND AHF-20 (24"x60") DOORS ALLOWED APPROXIMATELY 0.4 GALLONS OF WATER PENETRATION (3.5 FL OZ./MIN.).

ARROW (OUT-SWING ONLY) STANDARD ACCESS DOOR

TYPE AHF40



SCHEDULE

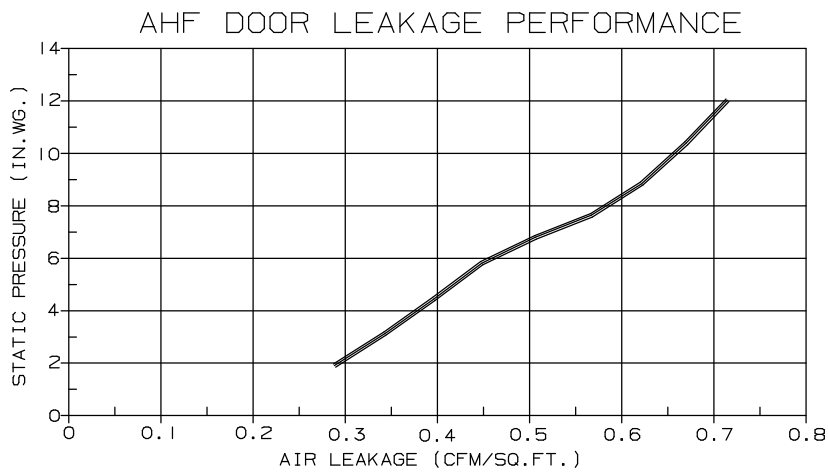
ITEM	QTY	MODEL		OPENING SIZE		NON-STANDARD VIEWPORT LOCATION ** (SEE NOTE 5) 'H' (WHEN REQ'D)	IDENTIFICATION
		AHF40	**VIEWPORT L/H R/H	'A' WIDTH	'B' HEIGHT		
		AHF40					
		AHF40					

NOTES

- HINGE ALWAYS FURNISHED ON 'B' HEIGHT DIMENSION.
- (G) DESIGNATES DOORS WITH GLASS VIEWPORTS, SPECIFY (L/H) LEFT HAND OR (R/H) RIGHT HAND HINGE WHEN VIEWING FROM THE OUTSIDE.
- 9" x 9" GLASS VIEWPORT NOT AVAILABLE ON UNITS UNDER 25" IN WIDTH USING A #310 HANDLE, 19" IN WIDTH WHEN USING AN OPTIONAL AUSTIN-ROMTECH HANDLE, 12" x 12" GLASS VIEWPORT NOT AVAILABLE ON UNITS UNDER 28" IN WIDTH USING A #310 HANDLE, 22" IN WIDTH WHEN USING AN OPTIONAL AUSTIN-ROMTECH HANDLE. FOR DOOR SIZES LESS THAN THE MINIMUM SHOWN, PLEASE CONSULT THE FACTORY.
- UNLESS OTHERWISE SPECIFIED, DOOR WILL BE FABRICATED 1/4" UNDER LISTED SIZE. DIMENSIONAL TOLERANCE IS ±.075.
- UNLESS OTHERWISE SPECIFIED, STANDARD VIEWPORT LOCATIONS ARE AS FOLLOWS:
'H'='B'-11" (±1") WHEN 'B' IS 20" TO 60"
'H'=48" (±1") WHEN 'B' IS GREATER THAN 60"
'H' CANNOT BE GREATER THAN 'B'-11"
- MINIMUM SIZE 12" WIDE x 12" HIGH
MAXIMUM SIZE 48" WIDE x 96" HIGH
(WIDTH CANNOT EXCEED 2x HEIGHT)
- OPTIONAL MATERIALS AVAILABLE FOR THE FOLLOWING COMPONENTS:
DOOR PANELS-BONDERIZED STEEL, ALUMINUM OR STAINLESS STEEL
VIEWPORT GLASS-SINGLE PANE: PLEXIGLASS
DOUBLE PANE: 1/4" WIRE
1/4" WIRE THERMAL PANE
HANDLES-CHROME PLATED
- PLEASE REFER TO INSTALLATION INSTRUCTIONS FOR MOUNTING OF HANDLES, AND DOOR ASSEMBLY MOUNTING.

SPECIFICATIONS

SPECIFICATIONS			PROJECT/LOCATION
FLANGED FRAME .080-6063-T5 EXTRUDED ALUMINUM	DOOR PANELS 20 GA. GALVANIZED STEEL	HINGE STAINLESS STEEL CONTINUOUS TYPE	ARCHITECT/ENGINEER
DOOR PANEL FRAME .080-6063-T5 EXTRUDED ALUMINUM	INSULATION 2.25 LB. DENSITY POLYURETHANE FOAM	VIEWPORT GLASS (SINGLE PANE) 1/4" WIRE (9"x9" STANDARD) (12"x12" OPTIONAL)	CONTRACTOR
	HANDLES #310 DUAL ACTING DIE CAST ZINC	FINISH MILL	SALES ENGINEER
	GASKET CONTINUOUS LENGTH EXTRUDED FOAMED SANTOPRENE		ARROW UNITED INDUSTRIES A DIVISION OF MESTEK, INC. 314 RIVERSIDE DRIVE WYALUSING, PA 18853 TEL: (570) 746-1888 FAX: (570) 746-9286
ACCESS DOOR-MODELS AHF40			DRAWING NO. 9-102
DRAWN BY LCC DATE 2/13/02			

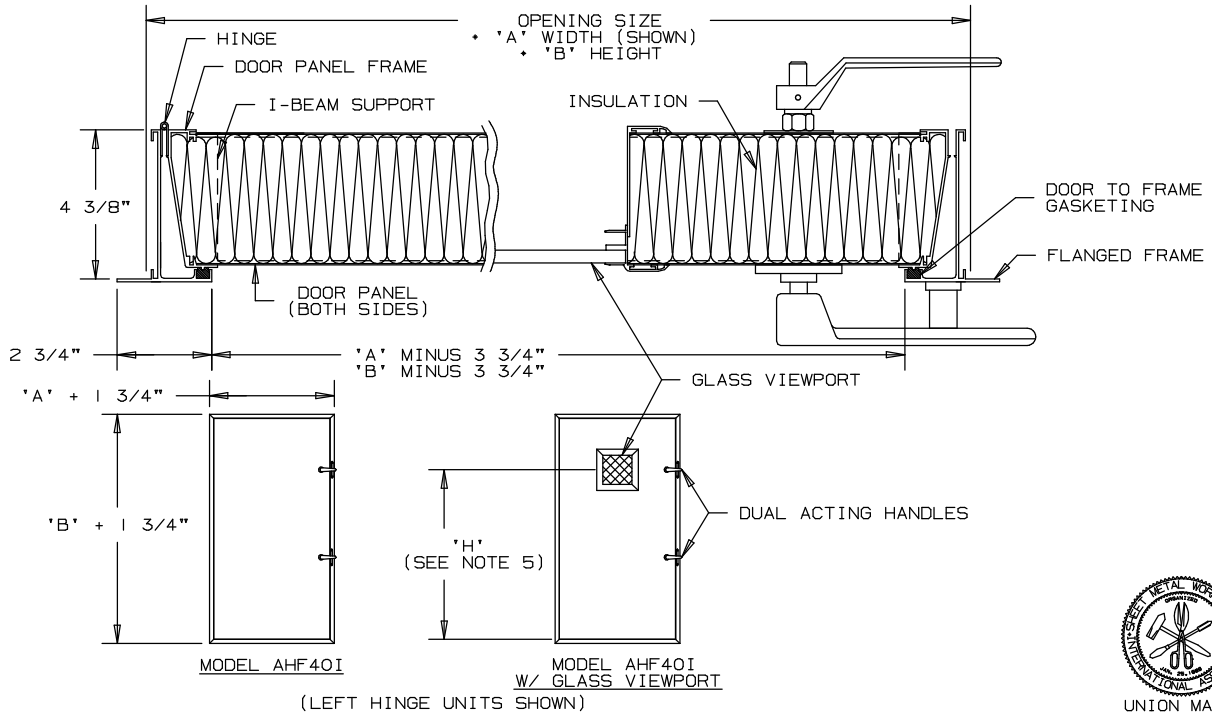


MODEL AHF-10 & AHF-20 WATER LEAKAGE PERFORMANCE

WATER LEAKAGE RESULTS ARE BASED UPON TESTING PER ASTM E 331-86 "WATER PENETRATION OF EXTERIOR WINDOWS, CURTAIN WALLS, AND DOORS BY A UNIFORM STATIC AIR PRESSURE DIFFERENCE". THE TESTS CONSISTED OF MOUNTED DOORS UNDER A PRESSURE DIFFERENCE OF 2" WG AND SUBJECTING THEM TO A UNIFORM WATER SPRAY FOR 15 MINUTES. THE SPRAY WAS EQUIVALENT TO A TORRENTIAL RAINFALL RATE OF 8 INCHES/HOUR. OVER THE 15 MINUTE PERIOD MODEL AHF-10 AND AHF-20 (24"x60") DOORS ALLOWED APPROXIMATELY 0.4 GALLONS OF WATER PENETRATION (3.5 FL OZ./MIN.).

ARROW (IN-SWING ONLY) STANDARD ACCESS DOOR

TYPE AHF40I




SCHEDULE

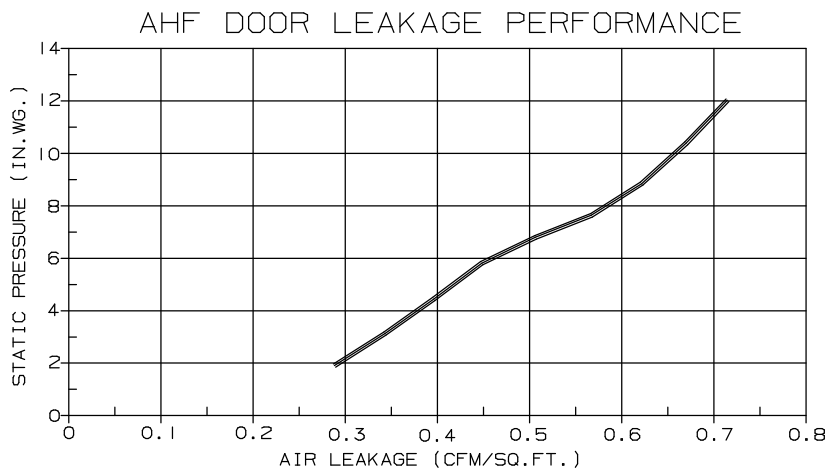
ITEM	QTY	MODEL		OPENING SIZE		NON-STANDARD VIEWPORT LOCATION ** (SEE NOTE 5) *H* (WHEN REQ'D)	NON-STANDARD INSULATION			IDENTIFICATION
		AHF40I	**VIEWPORT L/H R/H	*A* WIDTH	*B* HEIGHT		1 1/2 LB	3 LB	8 LB	
		AHF40I								
		AHF40I								

NOTES

- HINGE ALWAYS FURNISHED ON 'B' HEIGHT DIMENSION.
- (G) DESIGNATES DOORS WITH GLASS VIEWPORTS, SPECIFY (L/H) LEFT HAND OR (R/H) RIGHT HAND HINGE WHEN VIEWING FROM THE OUTSIDE.
- 9" x 9" GLASS VIEWPORT NOT AVAILABLE ON UNITS UNDER 25" IN WIDTH USING A #310 HANDLE, 19" IN WIDTH WHEN USING AN OPTIONAL AUSTIN-ROMTECH HANDLE, 12" x 12" GLASS VIEWPORT NOT AVAILABLE ON UNITS UNDER 28" IN WIDTH USING A #310 HANDLE, 22" IN WIDTH WHEN USING AN OPTIONAL AUSTIN-ROMTECH HANDLE. FLOOR DOOR SIZES LESS THAN THE MINIMUM SHOWN, PLEASE CONSULT THE FACTORY.
- UNLESS OTHERWISE SPECIFIED, DOOR WILL BE FABRICATED 1/4" UNDER LISTED SIZE. DIMENSIONAL TOLERANCE IS ±.075.
- UNLESS OTHERWISE SPECIFIED, STANDARD VIEWPORT LOCATIONS ARE AS FOLLOWS:
H='B'-11" (±1") WHEN 'B' IS 20" TO 60"
H=48" (±1") WHEN 'B' IS GREATER THAN 60"
WHEN SPECIFYING NON-STANDARD VIEWPORT LOCATIONS, *H* CANNOT BE GREATER THAN 'B'-11"
- MINIMUM SIZE 12" WIDE x 12" HIGH
MAXIMUM SIZE 48" WIDE x 96" HIGH
(WIDTH CANNOT EXCEED 2x HEIGHT)
- OPTIONAL MATERIALS AVAILABLE FOR THE FOLLOWING COMPONENTS:
DOOR PANELS-BONDERIZED STEEL, ALUMINUM OR STAINLESS STEEL
VIEWPORT GLASS-SINGLE PANE: PLEXIGLASS
DOUBLE PANE: 1/4" WIRE
1/4" WIRE THERMAL PANE
HANDLES-CHROME PLATED
- PLEASE REFER TO INSTALLATION INSTRUCTIONS FOR MOUNTING OF HANDLES, AND DOOR ASSEMBLY MOUNTING.

SPECIFICATIONS

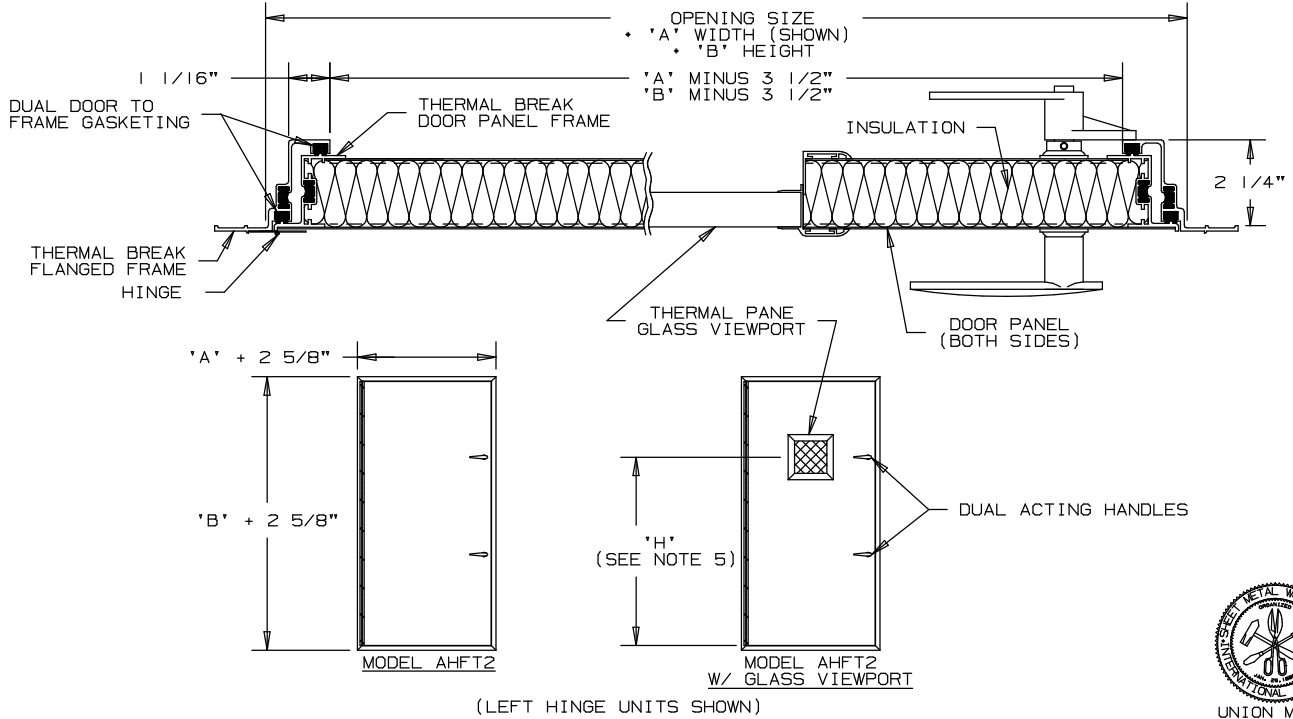
SPECIFICATIONS			PROJECT/LOCATION
FLANGED FRAME #080-6063-T5 EXTRUDED ALUMINUM	DOOR PANELS 20 GA. GALVANIZED STEEL	HINGE STAINLESS STEEL CONTINUOUS TYPE	ARCHITECT/ENGINEER
DOOR PANEL FRAME #080-6063-T5 EXTRUDED ALUMINUM	INSULATION FIBERGLASS 3/4 LB DENSITY	VIEWPORT GLASS (SINGLE PANE) 1/4" WIRE (9"x9" STANDARD) (12"x12" OPTIONAL)	CONTRACTOR
I-BEAM SUPPORT #080-6063-T5 EXTRUDED ALUMINUM	HANDLES #310 DUAL ACTING DIE CAST ZINC	FINISH MILL	SALES ENGINEER
	GASKET CONTINUOUS LENGTH EXTRUDED FOAMED SANTOPRENE		 ARROW UNITED INDUSTRIES A DIVISION OF MESTEK, INC. 314 RIVERSIDE DRIVE WYALUSING, PA 18853 TEL: (570) 746-1888 FAX: (570) 746-9286
ACCESS DOOR-MODELS AHF40I			DRAWING NO. 9-103
DRAWN BY LCC DATE 2/13/02			



MODEL AHF-10 & AHF-20 WATER LEAKAGE PERFORMANCE

WATER LEAKAGE RESULTS ARE BASED UPON TESTING PER ASTM E 331-86 "WATER PENETRATION OF EXTERIOR WINDOWS, CURTAIN WALLS, AND DOORS BY A UNIFORM STATIC AIR PRESSURE DIFFERENCE". THE TESTS CONSISTED OF MOUNTED DOORS UNDER A PRESSURE DIFFERENCE OF 2" WG AND SUBJECTING THEM TO A UNIFORM WATER SPRAY FOR 15 MINUTES. THE SPRAY WAS EQUIVALENT TO A TORRENTIAL RAINFALL RATE OF 8 INCHES/HOUR. OVER THE 15 MINUTE PERIOD MODEL AHF-10 AND AHF-20 (24"x60") DOORS ALLOWED APPROXIMATELY 0.4 GALLONS OF WATER PENETRATION (3.5 FL OZ./MIN.).

ARROW (OUT-SWING ONLY) TYPE 2" THERMAL BREAK ACCESS DOOR AHFT2



SCHEDULE

ITEM	QTY	MODEL		OPENING SIZE		NON-STANDARD VIEWPORT LOCATION ** (SEE NOTE 5) 'H' (WHEN REQ'D)	IDENTIFICATION
		AHFT2	**VIEWPORT L/H R/H	'A' WIDTH	'B' HEIGHT		
		AHFT2					
		AHFT2					

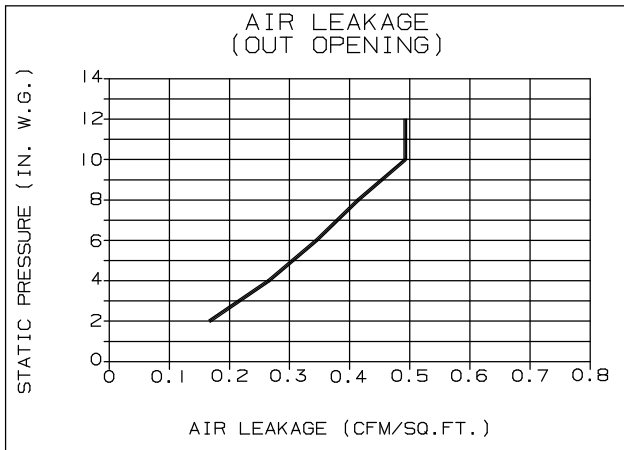
NOTES

1. HINGE ALWAYS FURNISHED ON 'B' HEIGHT DIMENSION.
2. (G) DESIGNATES DOORS WITH GLASS VIEWPORTS, SPECIFY (L/H) LEFT HAND OR (R/H) RIGHT HAND HINGE WHEN VIEWING FROM THE OUTSIDE.
3. 9" x 9" GLASS VIEWPORT NOT AVAILABLE ON UNITS UNDER 18" IN WIDTH AND 12" x 12" VIEWPORTS NOT AVAILABLE ON UNITS UNDER 21" IN WIDTH.
- *4. UNLESS OTHERWISE SPECIFIED, DOOR WILL BE FABRICATED 1/4" UNDER LISTED SIZE. DIMENSIONAL TOLERANCE IS ±.075.
- **5. UNLESS OTHERWISE SPECIFIED, STANDARD VIEWPORT LOCATIONS ARE AS FOLLOWS:
'H' = 'B' - 11" (±1") WHEN 'B' IS 20" TO 60"
'H' = 48" (±1") WHEN 'B' IS GREATER THAN 60"
WHEN SPECIFYING NON-STANDARD VIEWPORT LOCATIONS, 'H' CANNOT BE GREATER THAN 'B' - 11"
6. MINIMUM SIZE 12" WIDE x 12" HIGH
MAXIMUM SIZE 48" WIDE x 96" HIGH
(WIDTH CANNOT EXCEED 2x HEIGHT)
7. OPTIONAL MATERIALS AVAILABLE FOR THE FOLLOWING COMPONENTS:
DOOR PANELS - BONDERIZED STEEL, ALUMINUM OR STAINLESS STEEL
VIEWPORT GLASS - SINGLE PANE: PLEXIGLASS 1/4" WIRE
DOUBLE PANE: 1/4" WIRE
HANDLES - CHROME PLATED
8. PLEASE REFER TO INSTALLATION INSTRUCTIONS FOR MOUNTING OF HANDLES, AND DOOR ASSEMBLY MOUNTING.

SPECIFICATIONS

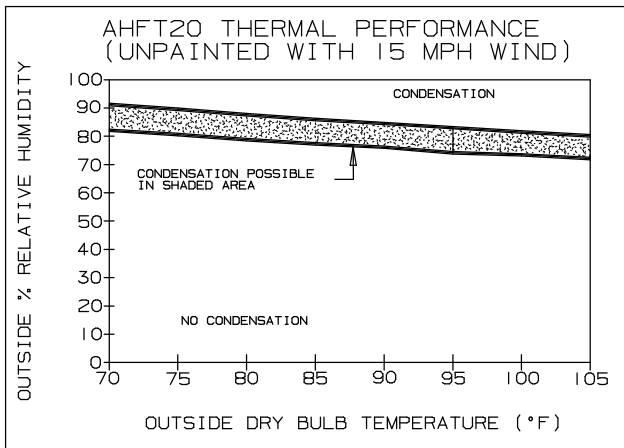
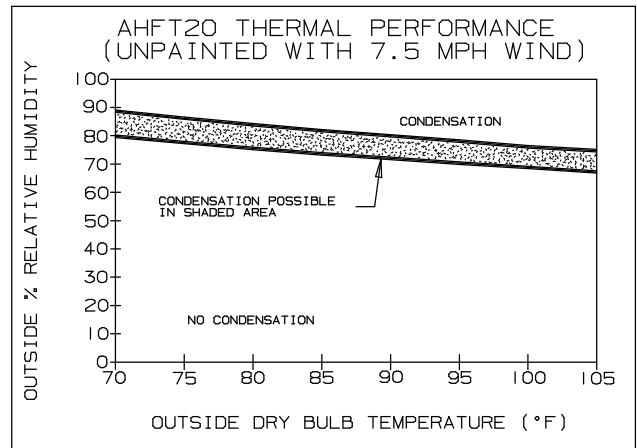
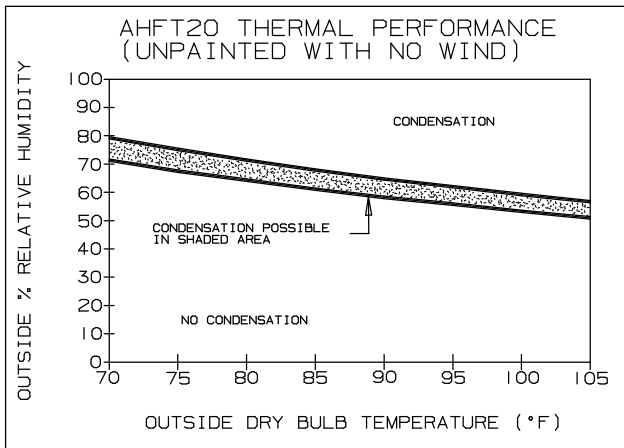
<table style="width: 100%; border-collapse: collapse;"> <tr> <td style="width: 33%; border-right: 1px solid black; padding: 5px;"> FLANGED FRAME .080-6063-T5 EXTRUDED ALUMINUM </td> <td style="width: 33%; border-right: 1px solid black; padding: 5px;"> DOOR PANELS 20 GA. GALVANIZED STEEL </td> <td style="width: 33%; padding: 5px;"> HINGE STAINLESS STEEL CONTINUOUS TYPE - OUT SWING </td> </tr> <tr> <td style="border-right: 1px solid black; padding: 5px;"> DOOR PANEL FRAME .080-6063-T5 EXTRUDED ALUMINUM </td> <td style="border-right: 1px solid black; padding: 5px;"> HANDLES DUAL ACTING DIE CAST ZINC </td> <td style="padding: 5px;"> INSULATION 2.25 LB. DENSITY POLYURETHANE FOAM </td> </tr> <tr> <td style="border-right: 1px solid black; padding: 5px;"> DUAL GASKET CONTINUOUS LENGTH EXTRUDED FOAMED SANTOPRENE </td> <td style="border-right: 1px solid black; padding: 5px;"> VIEWPORT GLASS (THERMAL PANE) 1/4" WIRE (9" x 9" STANDARD) (12" x 12" OPTIONAL) </td> <td style="padding: 5px;"> FINISH MILL </td> </tr> </table>	FLANGED FRAME .080-6063-T5 EXTRUDED ALUMINUM	DOOR PANELS 20 GA. GALVANIZED STEEL	HINGE STAINLESS STEEL CONTINUOUS TYPE - OUT SWING	DOOR PANEL FRAME .080-6063-T5 EXTRUDED ALUMINUM	HANDLES DUAL ACTING DIE CAST ZINC	INSULATION 2.25 LB. DENSITY POLYURETHANE FOAM	DUAL GASKET CONTINUOUS LENGTH EXTRUDED FOAMED SANTOPRENE	VIEWPORT GLASS (THERMAL PANE) 1/4" WIRE (9" x 9" STANDARD) (12" x 12" OPTIONAL)	FINISH MILL	PROJECT/LOCATION ARCHITECT/ENGINEER CONTRACTOR SALES ENGINEER <div style="text-align: center;"> ARROW UNITED INDUSTRIES A DIVISION OF MESTEK, INC. 314 RIVERSIDE DRIVE WYALUSING, PA 18853 TEL: (570) 746-1888 FAX: (570) 746-9286 </div>
FLANGED FRAME .080-6063-T5 EXTRUDED ALUMINUM	DOOR PANELS 20 GA. GALVANIZED STEEL	HINGE STAINLESS STEEL CONTINUOUS TYPE - OUT SWING								
DOOR PANEL FRAME .080-6063-T5 EXTRUDED ALUMINUM	HANDLES DUAL ACTING DIE CAST ZINC	INSULATION 2.25 LB. DENSITY POLYURETHANE FOAM								
DUAL GASKET CONTINUOUS LENGTH EXTRUDED FOAMED SANTOPRENE	VIEWPORT GLASS (THERMAL PANE) 1/4" WIRE (9" x 9" STANDARD) (12" x 12" OPTIONAL)	FINISH MILL								
ACCESS DOOR-MODEL AHFT2	DRAWN BY LCC DATE 2/18/02	DRAWING NO. 9-300								

AHFT20 PERFORMANCE CHARACTERISTICS



AIR LEAKAGE CHART IS BASED UPON INDEPENDENT AIR LEAKAGE TESTS CONDUCTED BY ARCHITECTURAL TESTING LABORATORY. THE OUT-OPENING MODEL OF A 24" x 60" AHFT20 WAS TESTED. TESTS WERE IN ACCORDANCE WITH ASTM E 283-91. "DETERMINING THE RATE OF AIR LEAKAGE THROUGH EXTERIOR WINDOWS, CURTAIN WALLS, AND DOORS UNDER SPECIFIED PRESSURE DIFFERENCES ACROSS THE SPECIMAN". ARROW UNITED INDUSTRIES RECOMMENDS USING OUT OPENING DOORS FOR DRAW THROUGH APPLICATIONS AND IN OPENING (IO) FOR BLOW THROUGH APPLICATIONS.

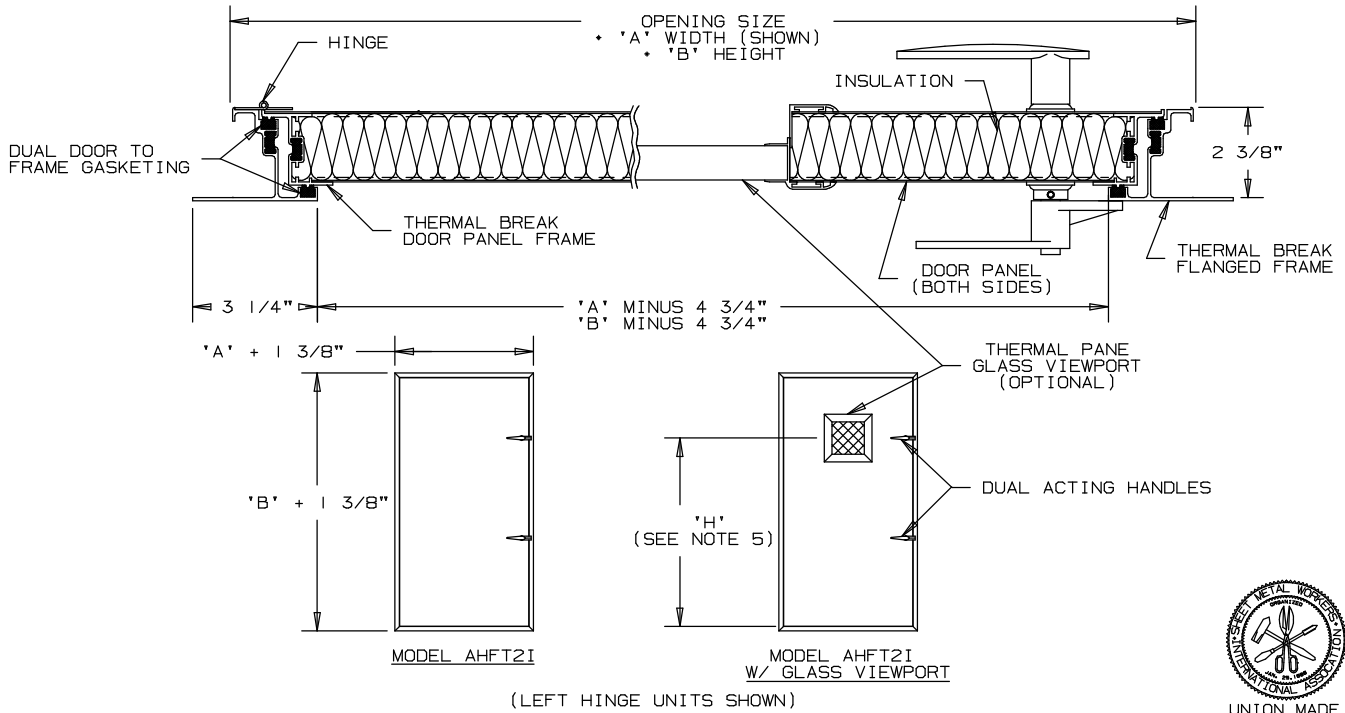
WATER LEAKAGE RESULTS ARE BASED UPON TESTING PER ASTM E 331-96 "WATER PENETRATION OF EXTERIOR WINDOWS, CURTAIN WALLS, AND DOORS BY A UNIFORM STATIC AIR PRESSURE DIFFERENCE". THE TESTS CONSISTED OF MOUNTING DOORS UNDER A PRESSURE DIFFERENCE .55" TO 2" WG AND SUBJECTING THEM TO A UNIFORM RAINFALL RATE OF 8 INCHES/HOUR. OVER THE 15 MINUTE PERIOD MODEL AHFT20 DOORS (24" x 60") WILL ALLOW APPROXIMATELY 0.4 GALLONS OF WATER PENETRATION (3.5 FL. OZ./MIN.).



THERMAL PERFORMANCE CHARTS ARE REPRESENTATIVE FOR A MAXIMUM DOOR SIZE THAT IS UNPAINTED.

THERMAL PERFORMANCE CHARTS ABOVE ARE PRESENTED AS A GUIDELINE ONLY. CHARTS ARE BASED ON HEAT TRANSFER CALCULATIONS AND INDEPENDANT THERMAL PERFORMANCE TESTS CONDUCTED BY ARCHITECTURAL TESTING LABORATORY. ALL CALCULATIONS ASSUME AN INSIDE TEMPERATURE OF 50°F AND AN INSIDE VELOCITY OF 900 FPM, FOR A DOOR SIZE 48"x96". TESTS ARE IN ACCORDANCE WITH ASTM C-1363-97 "STEADY STATE THERMAL PERFORMANCE OF BUILDING ASSEMBLIES BY MEANS OF A HOT BOX APPARATUS".

ARROW (IN-SWING ONLY) TYPE 2" THERMAL BREAK ACCESS DOOR AHFT2I



SCHEDULE

ITEM	QTY	MODEL		OPENING SIZE		NON-STANDARD VIEWPORT LOCATION ** (SEE NOTE 5) *H* (WHEN REQ'D)	IDENTIFICATION
		AHFT2I	**VIEWPORT L/H R/H	*A' WIDTH	*B' HEIGHT		
		AHFT2I					
		AHFT2I					

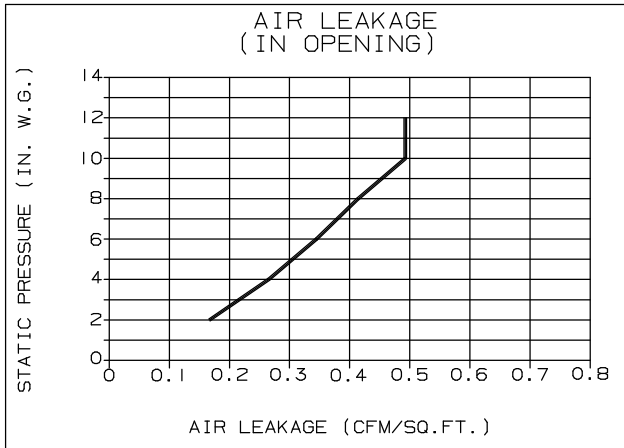
NOTES

- HINGE ALWAYS FURNISHED ON 'B' HEIGHT DIMENSION.
- (G) DESIGNATES DOORS WITH GLASS VIEWPORTS, SPECIFY (L/H) LEFT HAND OR (R/H) RIGHT HAND HINGE WHEN VIEWING FROM THE OUTSIDE.
- 9" x 9" GLASS VIEWPORT NOT AVAILABLE ON UNITS UNDER 21" IN WIDTH WHEN USING #260 HANDLE OR OPTIONAL AUSTIN ROMTECH HANDLE, 27" IN WIDTH WHEN USING THE OPTIONAL #310 HANDLE. 12" x 12" GLASS VIEWPORT NOT AVAILABLE ON UNITS UNDER 24" IN WIDTH WHEN USING #260 HANDLE, OR OPTIONAL AUSTIN ROMTECH HANDLE, 30" IN WIDTH WHEN USING THE OPTIONAL #310 HANDLE. FOR DOOR SIZES LESS THAN THE MINIMUMS SHOWN, PLEASE CONSULT THE FACTORY.
- UNLESS OTHERWISE SPECIFIED, DOOR WILL BE FABRICATED 1/4" UNDER LISTED SIZE. DIMENSIONAL TOLERANCE IS ±.075.
- UNLESS OTHERWISE SPECIFIED, STANDARD VIEWPORT LOCATIONS ARE AS FOLLOWS:
 H='B'-11" (±1") WHEN 'B' IS 20" TO 60"
 H=48" (±1") WHEN 'B' IS GREATER THAN 60"
 WHEN SPECIFYING NON-STANDARD VIEWPORT LOCATIONS, *H* CANNOT BE GREATER THAN 'B'-11"
- MINIMUM SIZE 12" WIDE x 12" HIGH
 MAXIMUM SIZE 48" WIDE x 96" HIGH
 (WIDTH CANNOT EXCEED 2x HEIGHT)
- OPTIONAL MATERIALS AVAILABLE:
 DOOR PANELS-BONDERIZED STEEL, ALUMINUM OR STAINLESS STEEL
 VIEWPORT SIZE: 9"x9" OR 12"x12"
 VIEWPORT GLASS-SINGLE PANE: PLEXIGLASS
 1/4" WIRE
 DOUBLE PANE: 1/4" WIRE
 THERMAL PANE: 1/4" WIRE
 HANDLES-CHROME PLATED
- PLEASE REFER TO INSTALLATION INSTRUCTIONS FOR MOUNTING OF HANDLES, AND DOOR ASSEMBLY MOUNTING.

SPECIFICATIONS

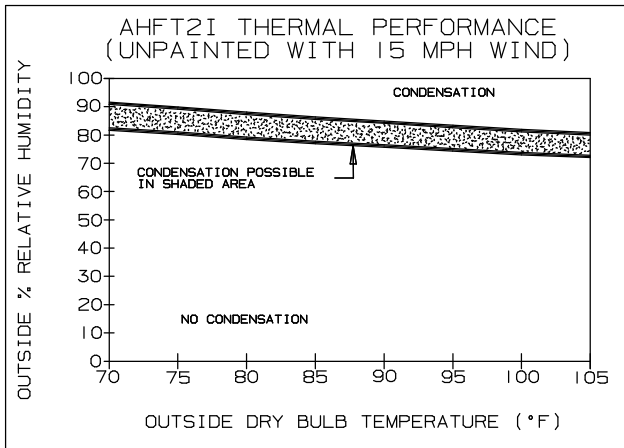
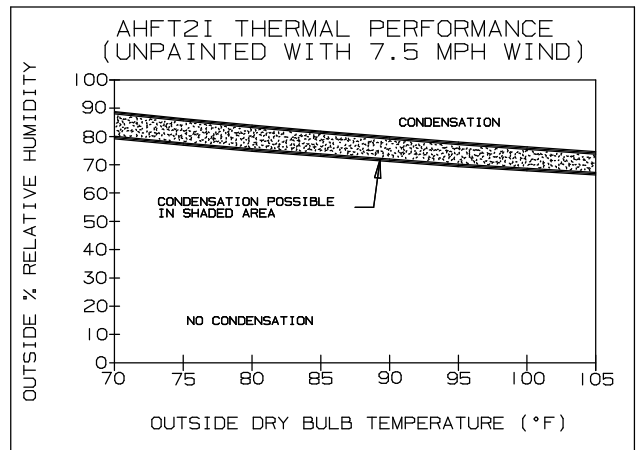
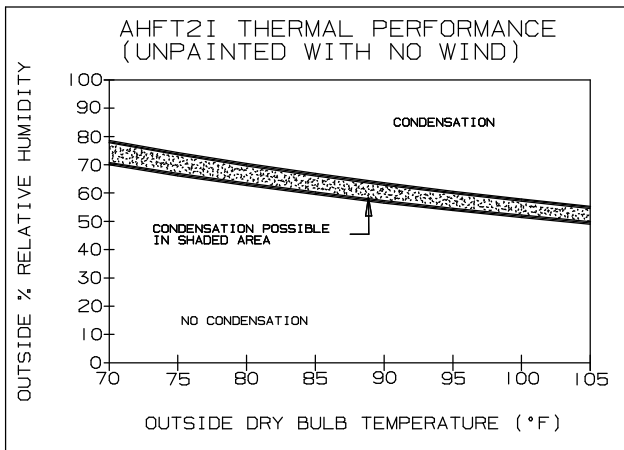
FLANGED FRAME .080-6063-T6/T52 EXTRUDED ALUMINUM			DOOR PANELS 20 GA. GALVANIZED STEEL			HINGE STAINLESS STEEL CONTINUOUS TYPE - IN SWING			PROJECT/LOCATION		
DOOR PANEL FRAME .080-6063-T6/T52 EXTRUDED ALUMINUM			HANDLES DUAL ACTING #260 DIE CAST ZINC			INSULATION 2.25 LB. DENSITY POLYURETHANE FOAM			ARCHITECT/ENGINEER		
DUAL GASKET CONTINUOUS LENGTH EXTRUDED FOAMED SANTOPRENE			FINISH MILL						CONTRACTOR		
									SALES ENGINEER		
									ARROW UNITED INDUSTRIES A DIVISION OF MESTEK, INC. 314 RIVERSIDE DRIVE WYALUSING, PA 18853 TEL: (570) 746-1888 FAX: (570) 746-9286		
ACCESS DOOR-MODEL AHFT2I						DRAWN BY LCC			DRAWING NO.		
						DATE 2/18/02			9-301		

AHFT2I PERFORMANCE CHARACTERISTICS



AIR LEAKAGE CHART IS BASED UPON INDEPENDENT AIR LEAKAGE TESTS CONDUCTED BY ARCHITECTURAL TESTING LABORATORY. THE IN-OPENING MODEL OF A 24" x 60" AHFT2I WAS TESTED. TESTS WERE IN ACCORDANCE WITH ASTM E 283-91. *DETERMINING THE RATE OF AIR LEAKAGE THROUGH EXTERIOR WINDOWS, CURTAIN WALLS, AND DOORS UNDER SPECIFIED PRESSURE DIFFERENCES ACROSS THE SPECIMAN". ARROW UNITED INDUSTRIES RECOMMENDS USING OUT OPENING DOORS FOR BLOW THROUGH APPLICATIONS AND IN OPENING (IO) FOR BLOW THROUGH APPLICATIONS.

WATER LEAKAGE RESULTS ARE BASED UPON TESTING PER ASTM E 331-96 "WATER PENETRATION OF EXTERIOR WINDOWS, CURTAIN WALLS, AND DOORS BY A UNIFORM STATIC AIR PRESSURE DIFFERENCE". THE TESTS CONSISTED OF MOUNTING DOORS UNDER A PRESSURE DIFFERENCE .55" TO 2" WG AND SUBJECTING THEM TO A UNIFORM RAINFALL RATE OF 8 INCHES/HOUR. OVER THE 15 MINUTE PERIOD MODEL AHFT2I DOORS (24" x 60") WILL ALLOW APPROXIMATELY 0.4 GALLONS OF WATER PENETRATION (3.5 FL. OZ./MIN.).



THERMAL PERFORMANCE CHARTS ARE REPRESENTATIVE FOR A MAXIMUM DOOR SIZE THAT IS UNPAINTED.

THERMAL PERFORMANCE CHARTS ABOVE ARE PRESENTED AS A GUIDELINE ONLY. CHARTS ARE BASED ON HEAT TRANSFER CALCULATIONS AND INDEPENDANT THERMAL PERFORMANCE TESTS CONDUCTED BY ARCHITECTURAL TESTING LABORATORY. ALL CALCULATIONS ASSUME AN INSIDE TEMPERATURE OF 50°F AND AN INSIDE VELOCITY OF 900 FPM, FOR A DOOR SIZE 48"x96". TESTS ARE IN ACCORDANCE WITH ASTM C-1363-97 "STEADY STATE THERMAL PERFORMANCE OF BUILDING ASSEMBLIES BY MEANS OF A HOT BOX APPARATUS".

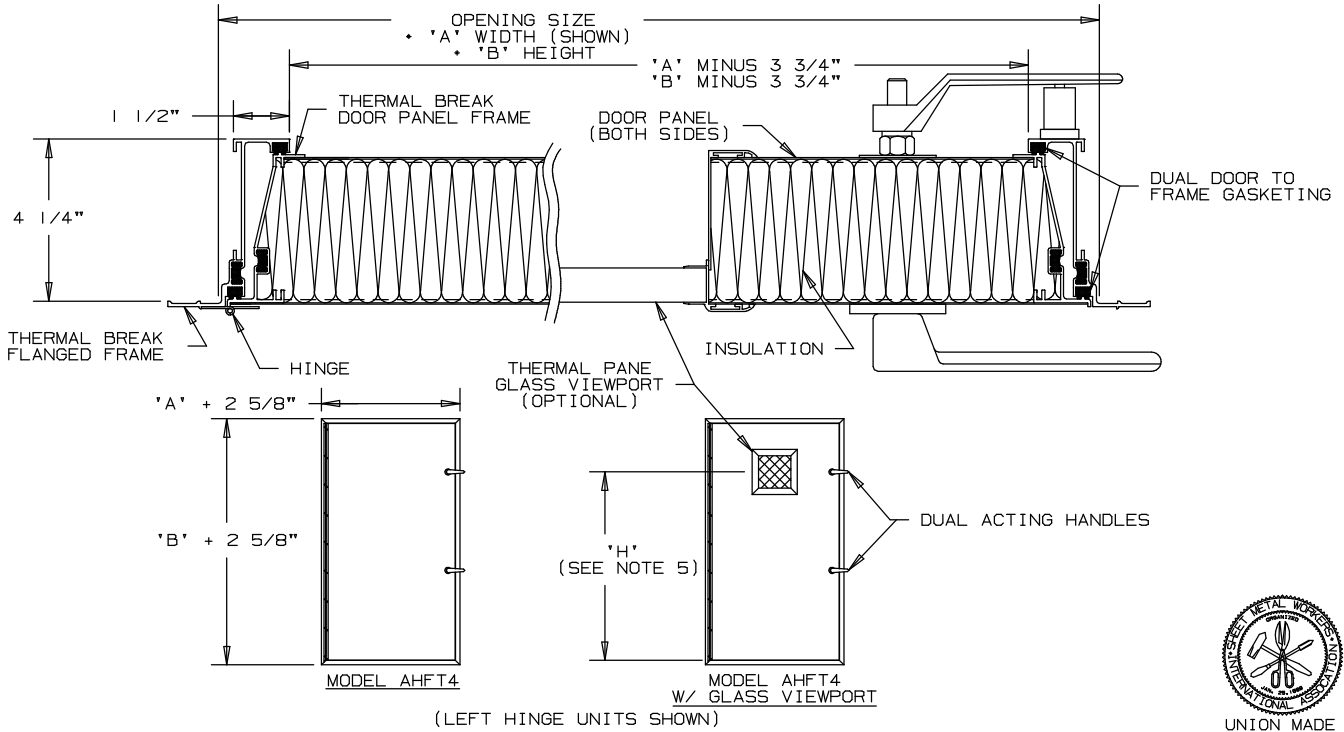
ARROW

(OUT-SWING ONLY)

TYPE

4" THERMAL BREAK ACCESS DOOR

AHFT4



SCHEDULE

ITEM	QTY	MODEL		OPENING SIZE		NON-STANDARD VIEWPORT LOCATION ** (SEE NOTE 5) *H* (WHEN REQ'D)	IDENTIFICATION
		AHFT4	**VIEWPORT L/H R/H	*A* WIDTH	*B* HEIGHT		
		AHFT4					
		AHFT4					

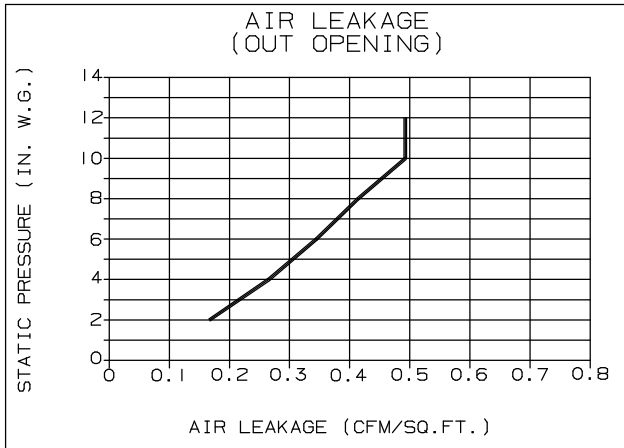
NOTES

- HINGE ALWAYS FURNISHED ON 'B' HEIGHT DIMENSION.
- (G) DESIGNATES DOORS WITH GLASS VIEWPORTS, SPECIFY (L/H) LEFT HAND OR (R/H) RIGHT HAND HINGE WHEN VIEWING FROM THE OUTSIDE.
- 9" x 9" GLASS VIEWPORT NOT AVAILABLE ON UNITS UNDER 23" IN WIDTH USING A #310 HANDLE, 19" IN WIDTH WHEN USING AN OPTIONAL AUSTIN-ROMTECH HANDLE. 12" x 12" GLASS VIEWPORT NOT AVAILABLE ON UNITS UNDER 26" IN WIDTH USING A #310 HANDLE, 22" IN WIDTH WHEN USING AN OPTIONAL AUSTIN-ROMTECH HANDLE. FOR DOOR SIZES LESS THAN THE MINIMUM SHOWN, PLEASE CONSULT THE FACTORY.
- UNLESS OTHERWISE SPECIFIED, DOOR WILL BE FABRICATED 1/4" UNDER LISTED SIZE. DIMENSIONAL TOLERANCE IS ±.075.
- UNLESS OTHERWISE SPECIFIED, STANDARD VIEWPORT LOCATIONS ARE AS FOLLOWS:
H = 'B' - 11" (±1") WHEN 'B' IS 20" TO 60"
H = 48" (±1") WHEN 'B' IS GREATER THAN 60"
WHEN SPECIFYING NON-STANDARD VIEWPORT LOCATIONS, 'H' CANNOT BE GREATER THAN 'B' - 11"
- MINIMUM SIZE 12" WIDE x 12" HIGH
MAXIMUM SIZE 48" WIDE x 96" HIGH
(WIDTH CANNOT EXCEED 2x HEIGHT)
- OPTIONAL MATERIALS AVAILABLE:
DOOR PANELS-BONDERIZED STEEL, ALUMINUM OR STAINLESS STEEL
VIEWPORT SIZE: 9"x9" OR 12"x12"
VIEWPORT GLASS-SINGLE PANE: PLEXIGLASS
1/4" WIRE
DOUBLE PANE: 1/4" WIRE
THERMAL PANE: 1/4" WIRE
HANDLES-CHROME PLATED
- PLEASE REFER TO INSTALLATION INSTRUCTIONS FOR MOUNTING OF HANDLES, AND DOOR ASSEMBLY MOUNTING.

SPECIFICATIONS

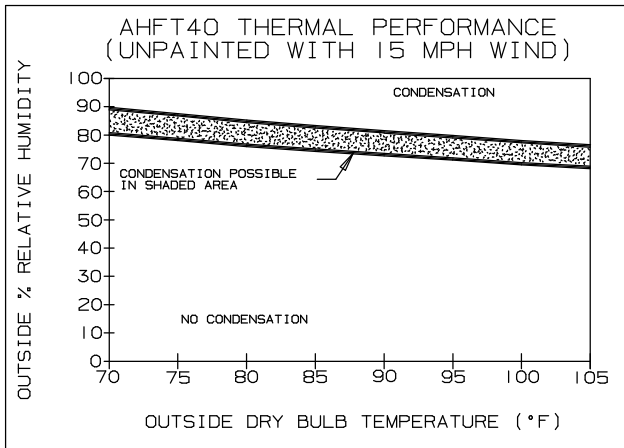
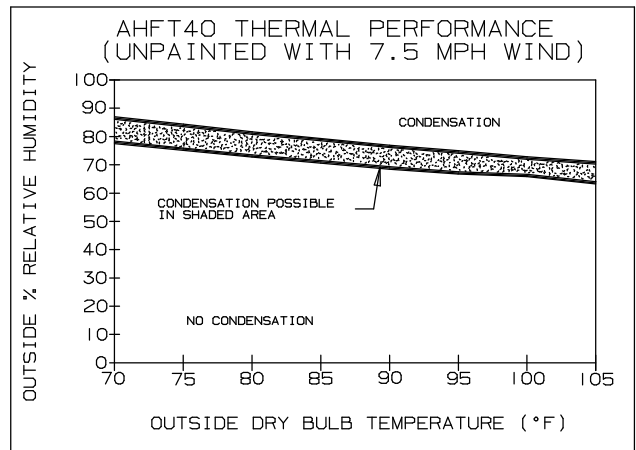
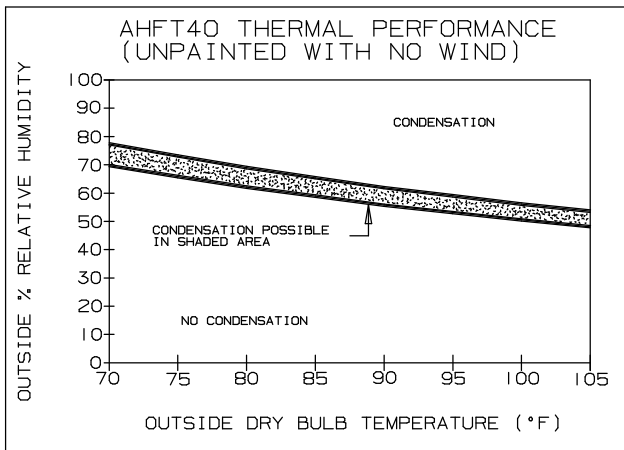
SPECIFICATIONS			PROJECT/LOCATION
FLANGED FRAME .080-6063-T6/T52 EXTRUDED ALUMINUM	DOOR PANELS 20 GA. GALVANIZED STEEL	HINGE STAINLESS STEEL CONTINUOUS TYPE - OUT SWING	ARCHITECT/ENGINEER
DOOR PANEL FRAME .080-6063-T6/T52 EXTRUDED ALUMINUM	HANDLES DUAL ACTING #310 DIE CAST ZINC	INSULATION 2.25 LB. DENSITY POLYURETHANE FOAM	CONTRACTOR
DUAL GASKET CONTINUOUS LENGTH EXTRUDED FOAMED SANTOPRENE	FINISH MILL		SALES ENGINEER
ACCESS DOOR-MODEL AHFT4			ARROW UNITED INDUSTRIES A DIVISION OF MESTEK, INC. 314 RIVERSIDE DRIVE WYALUSING, PA 18853 TEL: (570) 746-1888 FAX: (570) 746-9286
DRAWN BY LCC			DRAWING NO.
DATE 2/19/02			9-302

AHFT40 PERFORMANCE CHARACTERISTICS



AIR LEAKAGE CHART IS BASED UPON INDEPENDENT AIR LEAKAGE TESTS CONDUCTED BY ARCHITECTURAL TESTING LABORATORY. THE OUT-OPENING MODEL OF A 24" x 60" AHFT40 WAS TESTED. TESTS WERE IN ACCORDANCE WITH ASTM E 283-91. *DETERMINING THE RATE OF AIR LEAKAGE THROUGH EXTERIOR WINDOWS, CURTAIN WALLS, AND DOORS UNDER SPECIFIED PRESSURE DIFFERENCES ACROSS THE SPECIMAN". ARROW UNITED INDUSTRIES RECOMMENDS USING OUT OPENING DOORS FOR BLOW THROUGH APPLICATIONS AND IN OPENING (IO) FOR BLOW THROUGH APPLICATIONS.

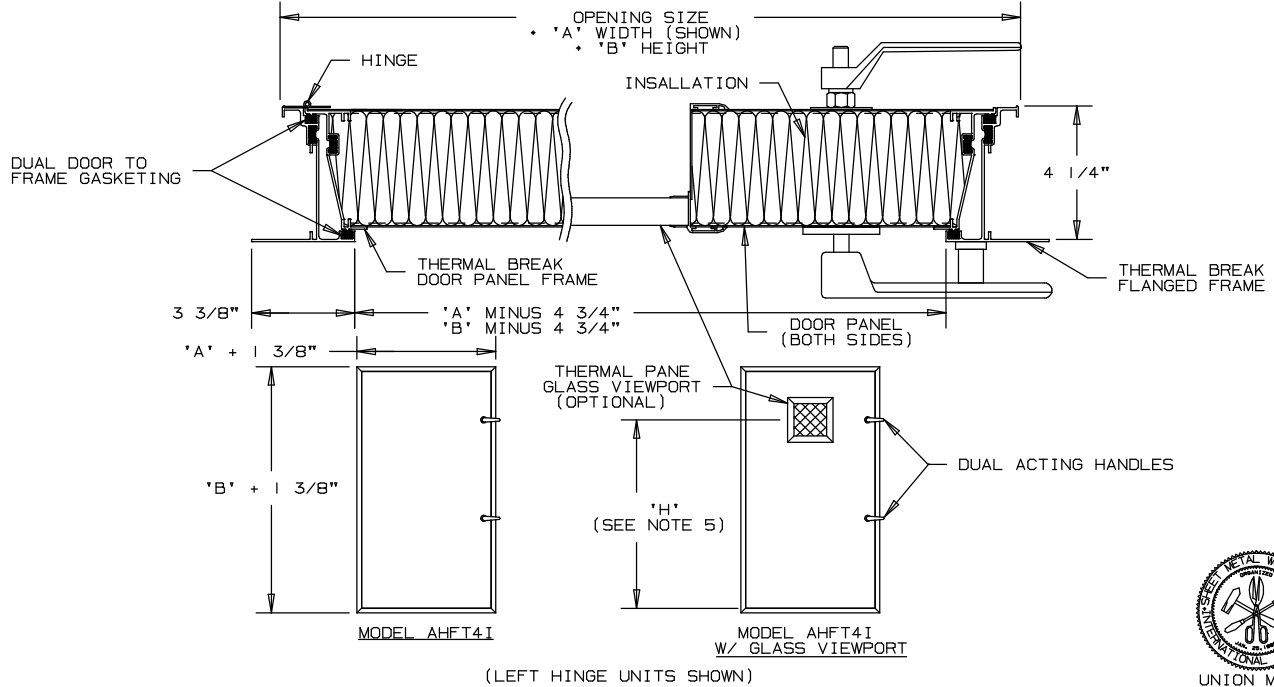
WATER LEAKAGE RESULTS ARE BASED UPON TESTING PER ASTM E 331-96 "WATER PENETRATION OF EXTERIOR WINDOWS, CURTAIN WALLS, AND DOORS BY A UNIFORM STATIC AIR PRESSURE DIFFERENCE". THE TESTS CONSISTED OF MOUNTING DOORS UNDER A PRESSURE DIFFERENCE .55" TO 2" WG AND SUBJECTING THEM TO A UNIFORM RAINFALL RATE OF 8 INCHES/HOUR. OVER THE 15 MINUTE PERIOD MODEL AHFT40 DOORS (24" x 60") WILL ALLOW APPROXIMATELY 0.4 GALLONS OF WATER PENETRATION (3.5 FL. OZ./MIN.).



THERMAL PERFORMANCE CHARTS ARE REPRESENTATIVE FOR A MAXIMUM DOOR SIZE THAT IS UNPAINTED.

THERMAL PERFORMANCE CHARTS ABOVE ARE PRESENTED AS A GUIDELINE ONLY. CHARTS ARE BASED ON HEAT TRANSFER CALCULATIONS AND INDEPENDANT THERMAL PERFORMANCE TESTS CONDUCTED BY ARCHITECTURAL TESTING LABORATORY. ALL CALCULATIONS ASSUME AN INSIDE TEMPERATURE OF 50°F AND AN INSIDE VELOCITY OF 900 FPM, FOR A DOOR SIZE 48"x96". TESTS ARE IN ACCORDANCE WITH ASTM C-1363-97 "STEADY STATE THERMAL PERFORMANCE OF BUILDING ASSEMBLIES BY MEANS OF A HOT BOX APPARATUS".

ARROW (IN-SWING ONLY) TYPE 4^{vv} THERMAL BREAK ACCESS DOOR AHFT4I



SCHEDULE

ITEM	QTY	MODEL		OPENING SIZE		NON-STANDARD VIEWPORT LOCATION ** (SEE NOTE 5) 'H' (WHEN REQ'D)	IDENTIFICATION
		AHFT4I	**VIEWPORT L/H R/H	'A' WIDTH	'B' HEIGHT		
		AHFT4I					
		AHFT4I					

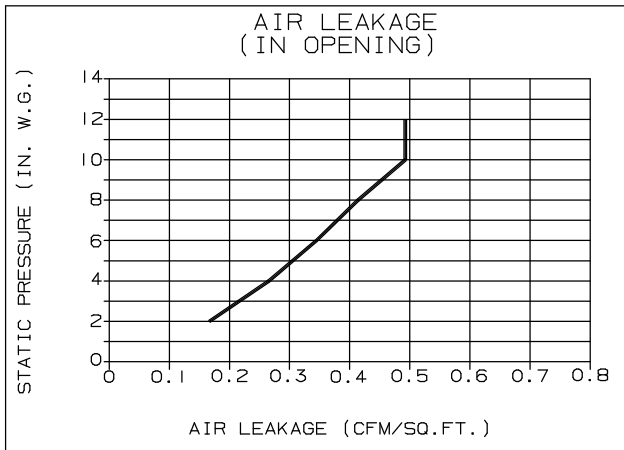
NOTES

- HINGE ALWAYS FURNISHED ON 'B' HEIGHT DIMENSION.
- (G) DESIGNATES DOORS WITH GLASS VIEWPORTS, SPECIFY (L/H) LEFT HAND OR (R/H) RIGHT HAND HINGE WHEN VIEWING FROM THE OUTSIDE.
- 9" x 9" GLASS VIEWPORT NOT AVAILABLE ON UNITS UNDER 25" IN WIDTH USING A #310 HANDLE, 22" IN WIDTH WHEN USING AN OPTIONAL AUSTIN-ROMTECH HANDLE. 12" x 12" GLASS VIEWPORT NOT AVAILABLE ON UNITS UNDER 28" IN WIDTH USING A #310 HANDLE, 25" IN WIDTH WHEN USING AN OPTIONAL AUSTIN-ROMTECH HANDLE. FOR DOOR SIZES LESS THAN THE MINIMUM SHOWN, PLEASE CONSULT THE FACTORY.
- UNLESS OTHERWISE SPECIFIED, DOOR WILL BE FABRICATED 1/4" UNDER LISTED SIZE. DIMENSIONAL TOLERANCE IS ±.075.
- UNLESS OTHERWISE SPECIFIED, STANDARD VIEWPORT LOCATIONS ARE AS FOLLOWS:
'H' = 'B' - 11" (±1") WHEN 'B' IS 20" TO 60"
'H' = 48" (±1") WHEN 'B' IS GREATER THAN 60"
WHEN SPECIFYING NON-STANDARD VIEWPORT LOCATIONS, 'H' CANNOT BE GREATER THAN 'B' - 11"
- MINIMUM SIZE 12" WIDE x 12" HIGH
MAXIMUM SIZE 48" WIDE x 96" HIGH
(WIDTH CANNOT EXCEED 2x HEIGHT)
- OPTIONAL MATERIALS AVAILABLE:
DOOR PANELS-BONDERIZED STEEL, ALUMINUM OR STAINLESS STEEL
VIEWPORT SIZE: 9"x9" OR 12"x12"
VIEWPORT GLASS-SINGLE PANE: PLEXIGLASS
1/4" WIRE
DOUBLE PANE: 1/4" WIRE
THERMAL PANE: 1/4" WIRE
HANDLES-CHROME PLATED
- PLEASE REFER TO INSTALLATION INSTRUCTIONS FOR MOUNTING OF HANDLES, AND DOOR ASSEMBLY MOUNTING.

SPECIFICATIONS

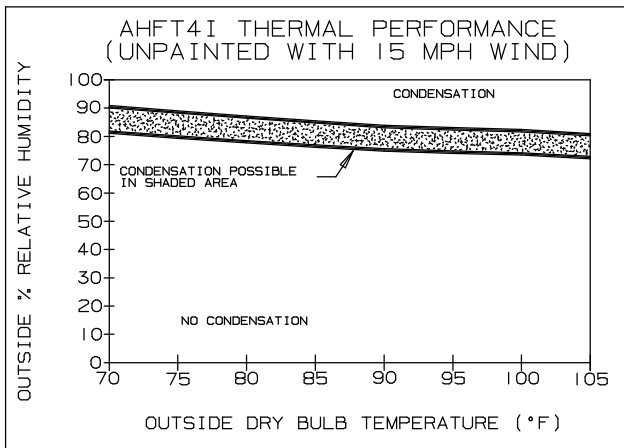
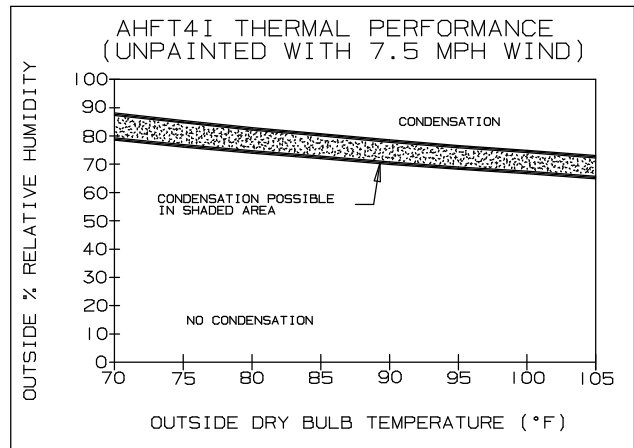
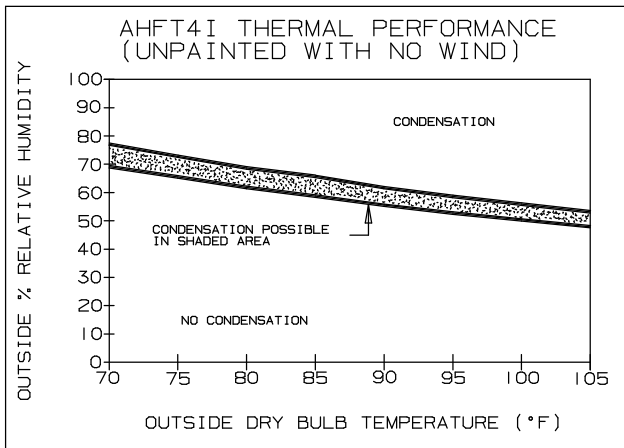
SPECIFICATIONS			PROJECT/LOCATION
FLANGED FRAME .080-6063-T6/T52 EXTRUDED ALUMINUM	DOOR PANELS 20 GA. GALVANIZED STEEL	HINGE STAINLESS STEEL CONTINUOUS TYPE	ARCHITECT/ENGINEER
DOOR PANEL FRAME .080-6063-T6/T52 EXTRUDED ALUMINUM	HANDLES DUAL ACTING #310 DIE CAST ZINC	INSULATION 2.25 LB. DENSITY POLYURETHANE FOAM	CONTRACTOR
	DUAL GASKET CONTINUOUS LENGTH EXTRUDED FOAMED SANTOPRENE	FINISH MILL	SALES ENGINEER
ACCESS DOOR-MODEL AHFT4I			DRAWING NO. 9-303
DRAWN BY LCC DATE 2/20/02			ARROW UNITED INDUSTRIES A DIVISION OF MESTEK, INC. 314 RIVERSIDE DRIVE WYALUSING, PA 18853 TEL: (570) 746-1888 FAX: (570) 746-9286

AHFT4I PERFORMANCE CHARACTERISTICS



AIR LEAKAGE CHART IS BASED UPON INDEPENDENT AIR LEAKAGE TESTS CONDUCTED BY ARCHITECTURAL TESTING LABORATORY. THE IN-OPENING MODEL OF A 24" x 60" AHFT4I WAS TESTED. TESTS WERE IN ACCORDANCE WITH ASTM E 283-91. *DETERMINING THE RATE OF AIR LEAKAGE THROUGH EXTERIOR WINDOWS, CURTAIN WALLS, AND DOORS UNDER SPECIFIED PRESSURE DIFFERENCES ACROSS THE SPECIMAN". ARROW UNITED INDUSTRIES RECOMMENDS USING OUT OPENING DOORS FOR DRAW THROUGH APPLICATIONS AND IN OPENING (IO) FOR BLOW THROUGH APPLICATIONS.

WATER LEAKAGE RESULTS ARE BASED UPON TESTING PER ASTM E 331-96 "WATER PENETRATION OF EXTERIOR WINDOWS, CURTAIN WALLS, AND DOORS BY A UNIFORM STATIC AIR PRESSURE DIFFERENCE". THE TESTS CONSISTED OF MOUNTING DOORS UNDER A PRESSURE DIFFERENCE .55" TO 2" WG AND SUBJECTING THEM TO A UNIFORM RAINFALL RATE OF 8 INCHES/HOUR. OVER THE 15 MINUTE PERIOD MODEL AHFT4I DOORS (24" x 60") WILL ALLOW APPROXIMATELY 0.4 GALLONS OF WATER PENETRATION (3.5 FL. OZ./MIN.).



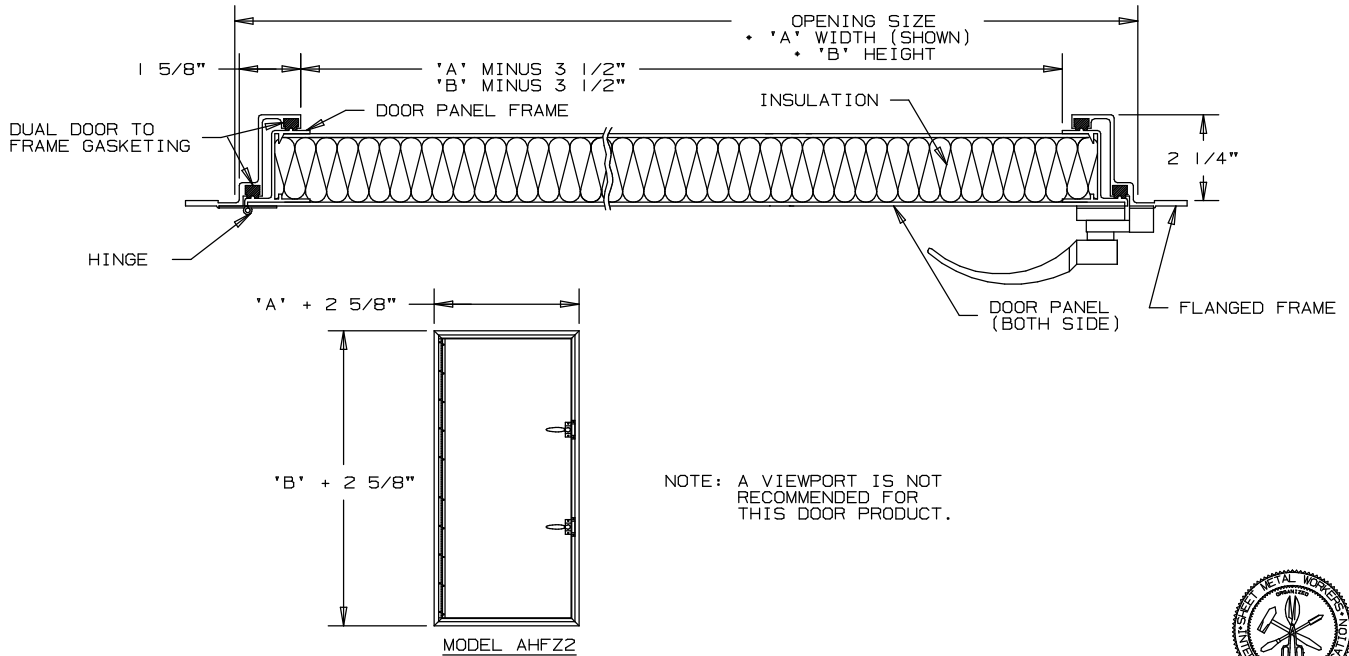
THERMAL PERFORMANCE CHARTS ARE REPRESENTATIVE FOR A MAXIMUM DOOR SIZE THAT IS UNPAINTED.

THERMAL PERFORMANCE CHARTS ABOVE ARE PRESENTED AS A GUIDELINE ONLY. CHARTS ARE BASED ON HEAT TRANSFER CALCULATIONS AND INDEPENDANT THERMAL PERFORMANCE TESTS CONDUCTED BY ARCHITECTURAL TESTING LABORATORY. ALL CALCULATIONS ASSUME AN INSIDE TEMPERATURE OF 50°F AND AN INSIDE VELOCITY OF 900 FPM, FOR A DOOR SIZE 48"x96". TESTS ARE IN ACCORDANCE WITH ASTM C-1363-97 "STEADY STATE THERMAL PERFORMANCE OF BUILDING ASSEMBLIES BY MEANS OF A HOT BOX APPARATUS".

ARROW ACCESS DOOR

(OUT-SWING ONLY)

TYPE AHFZ2



NOTE: A VIEWPORT IS NOT RECOMMENDED FOR THIS DOOR PRODUCT.



(LEFT HINGE UNITS SHOWN)


SCHEDULE

ITEM	QTY	MODEL		OPENING SIZE		NON-STANDARD VIEWPORT LOCATION ** (SEE NOTE 5) 'H' (WHEN REQ'D)	IDENTIFICATION
		AHFZ2	**VIEWPORT L/H R/H	'A' WIDTH	'B' HEIGHT		
		AHFZ2					
		AHFZ2					

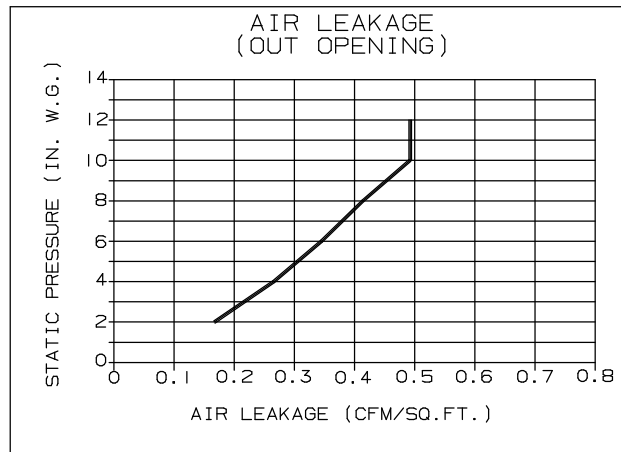
NOTES

- HINGE ALWAYS FURNISHED ON 'B' HEIGHT DIMENSION.
- (G) DESIGNATES DOORS WITH GLASS VIEWPORTS. SPECIFY (L/H) LEFT HAND OR (R/H) RIGHT HAND HINGE WHEN VIEWING FROM THE OUTSIDE.
- 9" x 9" GLASS VIEWPORT NOT AVAILABLE ON UNITS UNDER 18" IN WIDTH AND 12" x 12" VIEWPORTS NOT AVAILABLE ON UNITS UNDER 21" IN WIDTH.
- UNLESS OTHERWISE SPECIFIED, DOOR WILL BE FABRICATED 1/4" UNDER LISTED SIZE. DIMENSIONAL TOLERANCE IS ±.075.
- UNLESS OTHERWISE SPECIFIED, STANDARD VIEWPORT LOCATIONS ARE AS FOLLOWS:
'H'='B'-11" (±1") WHEN 'B' IS 20" TO 60"
'H'=48" (±1") WHEN 'B' IS GREATER THAN 60"
WHEN SPECIFYING NON-STANDARD VIEWPORT LOCATIONS, 'H' CANNOT BE GREATER THAN 'B'-11"
- MINIMUM SIZE 12" WIDE x 12" HIGH
MAXIMUM SIZE 48" WIDE x 96" HIGH
(WIDTH CANNOT EXCEED 2x HEIGHT)
- OPTIONAL MATERIALS AVAILABLE FOR THE FOLLOWING COMPONENTS:
DOOR PANELS-BONDERIZED STEEL, ALUMINUM OR STAINLESS STEEL
VIEWPORT GLASS-SINGLE PANE: PLEXIGLASS
DOUBLE PANE: 1/4" WIRE
1/4" WIRE THERMAL PANE
- PLEASE REFER TO INSTALLATION INSTRUCTIONS FOR DOOR ASSEMBLY MOUNTING.

SPECIFICATIONS

SPECIFICATIONS			PROJECT/LOCATION
<u>FLANGED FRAME</u> .100-6063-T5 EXTRUDED ALUMINUM	<u>DOOR PANELS</u> 20 GA. GALVANIZED STEEL	<u>HINGE</u> STAINLESS STEEL CONTINUOUS TYPE	ARCHITECT/ENGINEER
<u>DOOR PANEL FRAME</u> 080-6063-T5 EXTRUDED ALUMINUM	<u>INSULATION</u> 2.25 LB. DENSITY POLYURETHANE FOAM	<u>VIEWPORT GLASS (SINGLE PANE)</u> 1/4" WIRE (9"x9" STANDARD) (12"x12" OPTIONAL)	CONTRACTOR
	<u>HANDLES</u> DIE CAST ZINC	<u>FINISH</u> MILL	SALES ENGINEER
	<u>DUAL GASKET</u> CONTINUOUS LENGTH EXTRUDED FOAMED SANTOPRENE		 ARROW UNITED INDUSTRIES A DIVISION OF MESTEK, INC. 314 RIVERSIDE DRIVE WYALUSING, PA 18853 TEL: (570) 746-1888 FAX: (570) 746-9286
ACCESS DOOR-MODEL AHFZ2			DRAWING NO. 9-200
			DRAWN BY LCC DATE 2/15/02

AHFZ2 PERFORMANCE CHARACTERISTICS



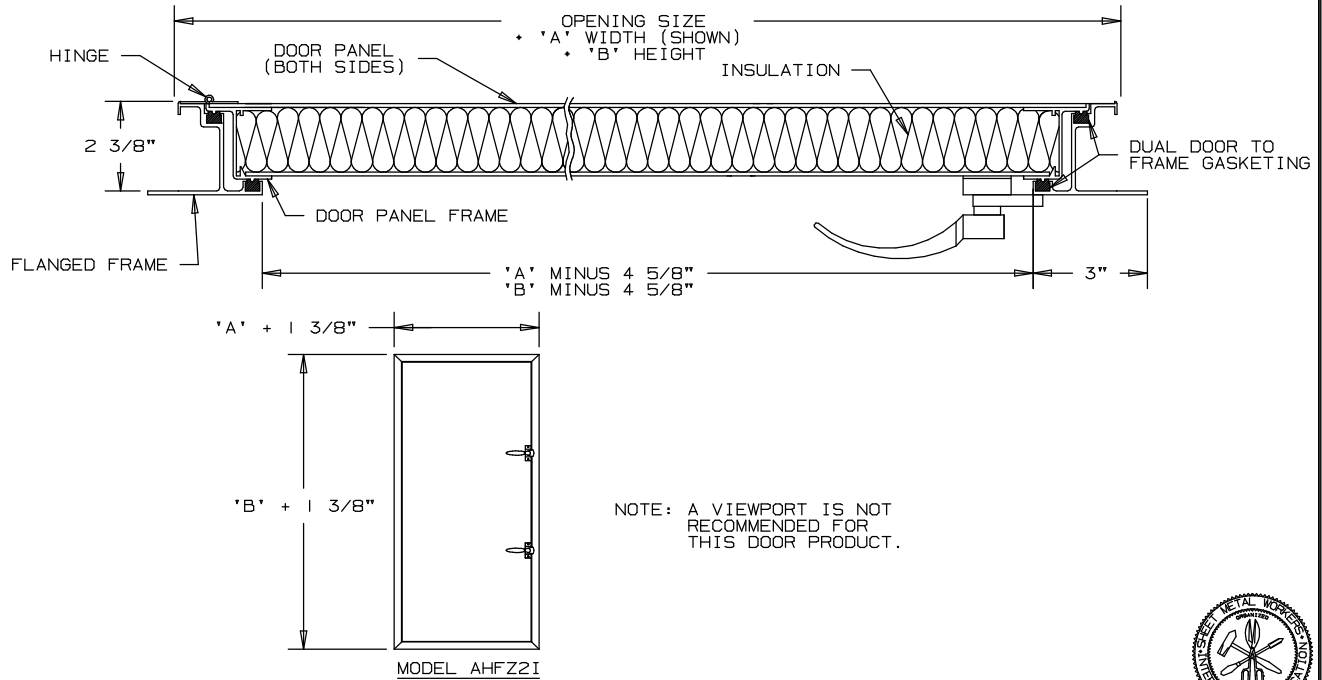
AIR LEAKAGE CHART IS BASED UPON INDEPENDENT AIR LEAKAGE TESTS CONDUCTED BY ARCHITECTURAL TESTING LABORATORY. THE OUT-OPENING MODEL OF A 24" x 60" AHFZ2 WAS TESTED. TESTS WERE IN ACCORDANCE WITH ASTM E 283-91 "DETERMINING THE RATE OF AIR LEAKAGE THROUGH EXTERIOR WINDOWS, CURTAIN WALLS, AND DOORS UNDER SPECIFIED PRESSURE DIFFERENCES ACROSS THE SPECIMAN". ARROW UNITED INDUSTRIES RECOMMENDS USING OUT OPENING DOORS FOR DRAW THROUGH APPLICATIONS AND IN OPENING (IO) FOR BLOW THROUGH APPLICATIONS.

WATER LEAKAGE RESULTS ARE BASED UPON TESTING PER ASTM E 331-96 "WATER PENETRATION OF EXTERIOR WINDOWS, CURTAIN WALLS, AND DOORS BY A UNIFORM STATIC AIR PRESSURE DIFFERENCE". THE TESTS CONSISTED OF MOUNTING DOORS UNDER A PRESSURE DIFFERENCE .55" TO 2" WG AND SUBJECTING THEM TO A UNIFORM RAINFALL RATE OF 8 INCHES/HOUR. OVER THE 15 MINUTE PERIOD MODEL AHFZ2 DOORS (24" x 60") WILL ALLOW APPROXIMATELY 0.4 GALLONS OF WATER PENETRATION (3.5 FL. OZ./MIN.).

ARROW 2" ACCESS DOOR

(IN-SWING ONLY)

TYPE AHFZ2I




SCHEDULE

ITEM	QTY	MODEL		OPENING SIZE		NON-STANDARD VIEWPORT LOCATION ** (SEE NOTE 5) 'H' (WHEN REQ'D)	IDENTIFICATION
		AHFZ2I	**VIEWPORT L/H R/H	'A' WIDTH	'B' HEIGHT		
		AHFZ2I					
		AHFZ2I					

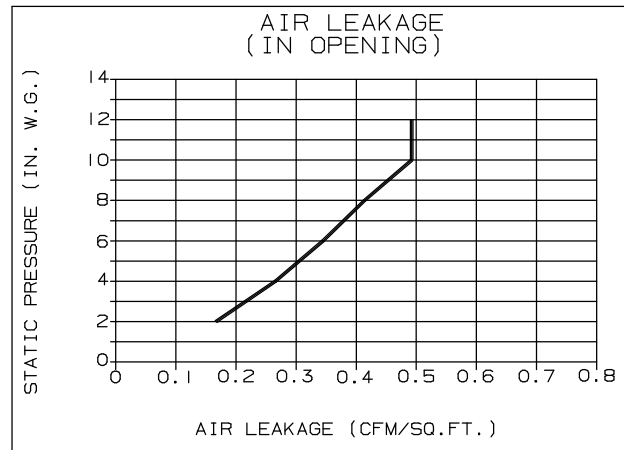
NOTES

- HINGE ALWAYS FURNISHED ON 'B' HEIGHT DIMENSION.
- (G) DESIGNATES DOORS WITH GLASS VIEWPORTS, SPECIFY (L/H) LEFT HAND OR (R/H) RIGHT HAND HINGE WHEN VIEWING FROM THE OUTSIDE.
- 9" x 9" GLASS VIEWPORT NOT AVAILABLE ON UNITS UNDER 18" IN WIDTH AND 12" x 12" VIEWPORTS NOT AVAILABLE ON UNITS UNDER 21" IN WIDTH.
- UNLESS OTHERWISE SPECIFIED, DOOR WILL BE FABRICATED 1/4" UNDER LISTED SIZE. DIMENSIONAL TOLERANCE IS ±.075.
- UNLESS OTHERWISE SPECIFIED, STANDARD VIEWPORT LOCATIONS ARE AS FOLLOWS:
'H' = 'B' - 11" (±1") WHEN 'B' IS 20" TO 60"
'H' = 48" (±1") WHEN 'B' IS GREATER THAN 60"
WHEN SPECIFYING NON-STANDARD VIEWPORT LOCATIONS, 'H' CANNOT BE GREATER THAN 'B' - 11"
- MINIMUM SIZE 12" WIDE x 12" HIGH
MAXIMUM SIZE 48" WIDE x 96" HIGH
(WIDTH CANNOT EXCEED 2x HEIGHT)
- OPTIONAL MATERIALS AVAILABLE FOR THE FOLLOWING COMPONENTS:
DOOR PANELS - BONDERIZED STEEL, ALUMINUM OR STAINLESS STEEL
VIEWPORT GLASS - SINGLE PANE: PLEXIGLASS
DOUBLE PANE: 1/4" WIRE
1/4" WIRE THERMAL PANE
- PLEASE REFER TO INSTALLATION INSTRUCTIONS FOR DOOR ASSEMBLY MOUNTING.

SPECIFICATIONS

SPECIFICATIONS			PROJECT/LOCATION
FLANGED FRAME .100-6063-T5 EXTRUDED ALUMINUM	DOOR PANELS 20 GA. GALVANIZED STEEL	HINGE STAINLESS STEEL CONTINUOUS TYPE - IN SWING	ARCHITECT/ENGINEER
DOOR PANEL FRAME .080-6063-T5 EXTRUDED ALUMINUM	INSULATION 2.25 LB. DENSITY POLYURETHANE FOAM	VIEWPORT GLASS (SINGLE PANE) 1/4" WIRE (9"x9" STANDARD) (12"x12" OPTIONAL)	CONTRACTOR
	HANDLES DIE CAST ZINC	FINISH MILL	SALES ENGINEER
	DUAL GASKET CONTINUOUS LENGTH EXTRUDED FOAMED SANTOPRENE		 ARROW UNITED INDUSTRIES A DIVISION OF MESTEK, INC. 314 RIVERSIDE DRIVE WYALUSING, PA 18853 TEL: (570) 746-1888 FAX: (570) 746-9286
ACCESS DOOR-MODEL AHFZ2I			DRAWING NO. 9-201
			DRAWN BY LCC DATE 2/15/02

AHFZ2 PERFORMANCE CHARACTERISTICS



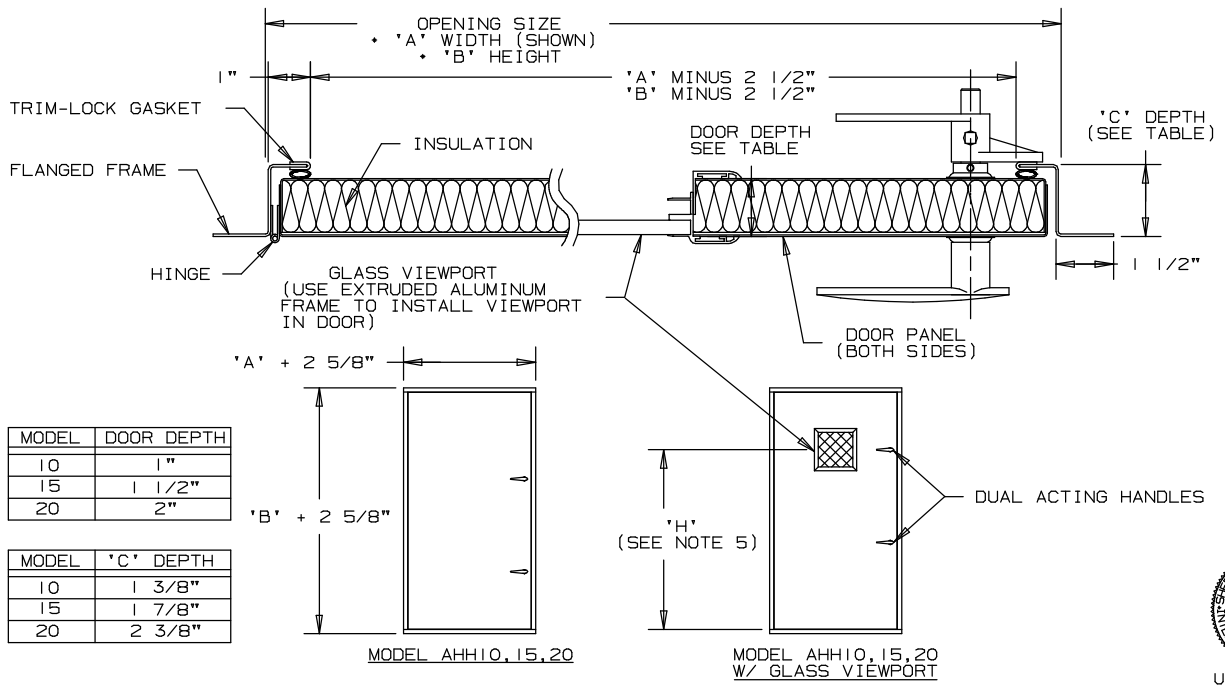
AIR LEAKAGE CHART IS BASED UPON INDEPENDENT AIR LEAKAGE TESTS CONDUCTED BY ARCHITECTURAL TESTING LABORATORY. THE IN-OPENING MODEL OF A 24" x 60" AHFZ2 WAS TESTED. TESTS WERE IN ACCORDANCE WITH ASTM E 283-91 "DETERMINING THE RATE OF AIR LEAKAGE THROUGH EXTERIOR WINDOWS, CURTAIN WALLS, AND DOORS UNDER SPECIFIED PRESSURE DIFFERENCES ACROSS THE SPECIMAN". ARROW UNITED INDUSTRIES RECOMMENDS USING OUT OPENING DOORS FOR DRAW THROUGH APPLICATIONS AND IN OPENING (IO) FOR BLOW THROUGH APPLICATIONS.

WATER LEAKAGE RESULTS ARE BASED UPON TESTING PER ASTM E 331-96 "WATER PENETRATION OF EXTERIOR WINDOWS, CURTAIN WALLS, AND DOORS BY A UNIFORM STATIC AIR PRESSURE DIFFERENCE". THE TESTS CONSISTED OF MOUNTING DOORS UNDER A PRESSURE DIFFERENCE .55" TO 2" WG AND SUBJECTING THEM TO A UNIFORM RAINFALL RATE OF 8 INCHES/HOUR. OVER THE 15 MINUTE PERIOD MODEL HFZ2I DOORS (24" x 60") WILL ALLOW APPROXIMATELY 0.4 GALLONS OF WATER PENETRATION (3.5 FL. OZ./MIN.).

ARROW (OUT-SWING ONLY)

TYPE AHH10, 15 AND 20

FABRICATED ACCESS DOOR



SCHEDULE

ITEM	QTY	MODEL				OPENING SIZE		NON-STANDARD VIEWPORT LOCATION ** (SEE NOTE 5) 'H' (WHEN REQ'D)	IDENTIFICATION
		AHH	10	15	20	**VIEWPORT L/H R/H	'A' WIDTH		
		AHH							
		AHH							

NOTES

- HINGE ALWAYS FURNISHED ON 'B' HEIGHT DIMENSION.
- (G) DESIGNATES DOORS WITH GLASS VIEWPORTS, SPECIFY (L/H) LEFT HAND OR (R/H) RIGHT HAND HINGE WHEN VIEWING FROM THE OUTSIDE.
- 9" x 9" GLASS VIEWPORT NOT AVAILABLE ON UNITS UNDER 18" IN WIDTH AND 12" x 12" VIEWPORTS NOT AVAILABLE ON UNITS UNDER 21" IN WIDTH.
- UNLESS OTHERWISE SPECIFIED, DOOR WILL BE FABRICATED 1/4" UNDER LISTED SIZE. DIMENSIONAL TOLERANCE IS ±.075.
- UNLESS OTHERWISE SPECIFIED, STANDARD VIEWPORT LOCATIONS ARE AS FOLLOWS:
'H' = 'B' - 11" (±1") WHEN 'B' IS 20" TO 60"
'H' = 48" (±1") WHEN 'B' IS GREATER THAN 60"
WHEN SPECIFYING NON-STANDARD VIEWPORT LOCATIONS, 'H' CANNOT BE GREATER THAN 'B' - 11"
- MINIMUM SIZE 12" WIDE x 12" HIGH
MAXIMUM SIZE 48" WIDE x 96" HIGH
(WIDTH CANNOT EXCEED 2x HEIGHT)
- OPTIONAL MATERIALS AVAILABLE FOR THE FOLLOWING COMPONENTS:
DOOR PANELS - BONDERIZED STEEL,
OR STAINLESS STEEL
VIEWPORT GLASS - SINGLE PANE: 1/4" PLEXIGLASS
DOUBLE PANE: 1/4" WIRE
1/4" WIRE THERMAL PANE
HANDLES - CHROME PLATED
- PLEASE REFER TO INSTALLATION INSTRUCTIONS FOR MOUNTING OF HANDLES, AND DOOR ASSEMBLY MOUNTING.

SPECIFICATIONS

FLANGED FRAME 16 GA GALV. STEEL DOOR PANELS 20 GA GALV. STEEL	INSULATION 2.25 LB. DENSITY POLYURETHANE FOAM HANDLES DUAL ACTING DIE CAST ZINC GASKET CONTINUOUS LENGTH REPLACEABLE NEOPRENE BULB	HINGE STAINLESS STEEL CONTINUOUS TYPE - OUT SWING VIEWPORT GLASS (SINGLE PANE) 1/4" WIRE (9" x 9" STANDARD) (12" x 12" OPTIONAL) FINISH MILL	PROJECT/LOCATION ARCHITECT/ENGINEER CONTRACTOR SALES ENGINEER
--	---	---	--

ARROW UNITED INDUSTRIES
A DIVISION OF MESTEK, INC.
314 RIVERSIDE DRIVE
WYALUSING, PA 18853
TEL: (570) 746-1888
FAX: (570) 746-9286

FABRICATED ACCESS DOOR-MODELS AHH10, 15, 20

DRAWN BY LCC
DATE 3/15/02

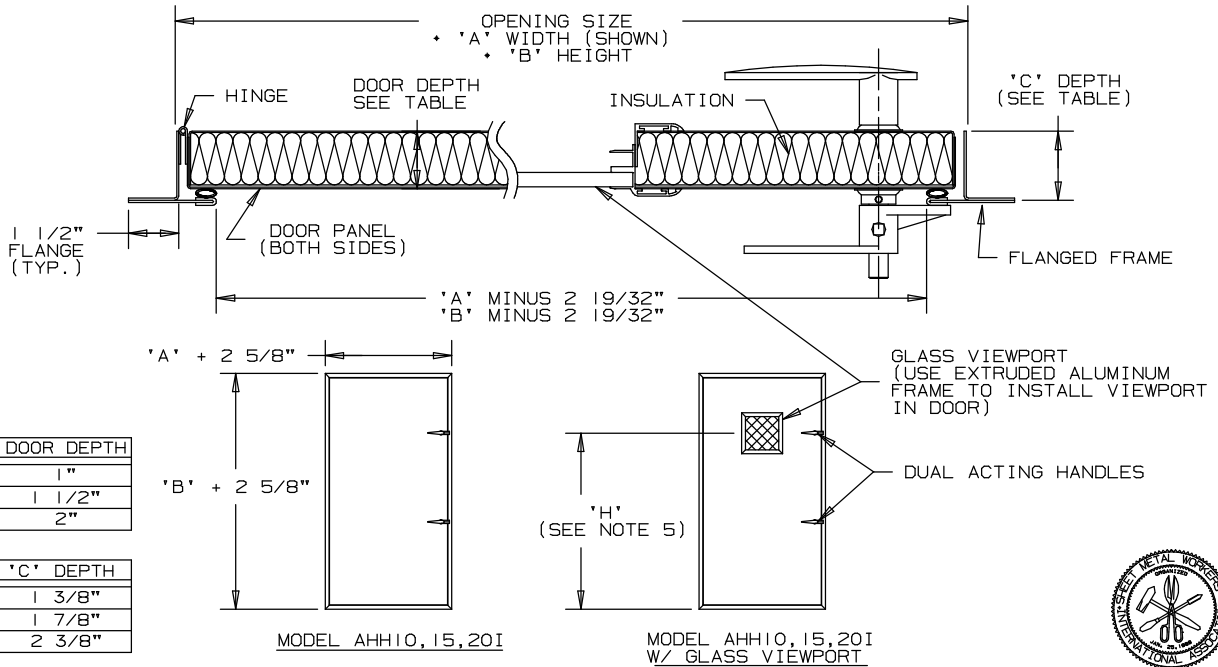
DRAWING NO. 9-400

ARROW

(IN-SWING ONLY)

TYPE AHH10, 15 AND 20I

FABRICATED ACCESS DOOR



SCHEDULE

ITEM	QTY	MODEL					OPENING SIZE		NON-STANDARD VIEWPORT LOCATION ** (SEE NOTE 5) *H* (WHEN REQ'D)	IDENTIFICATION
		AHH	**VIEWPORT L/H R/H	10	15	20	I	*A* WIDTH		
		AHH					I			
		AHH					I			

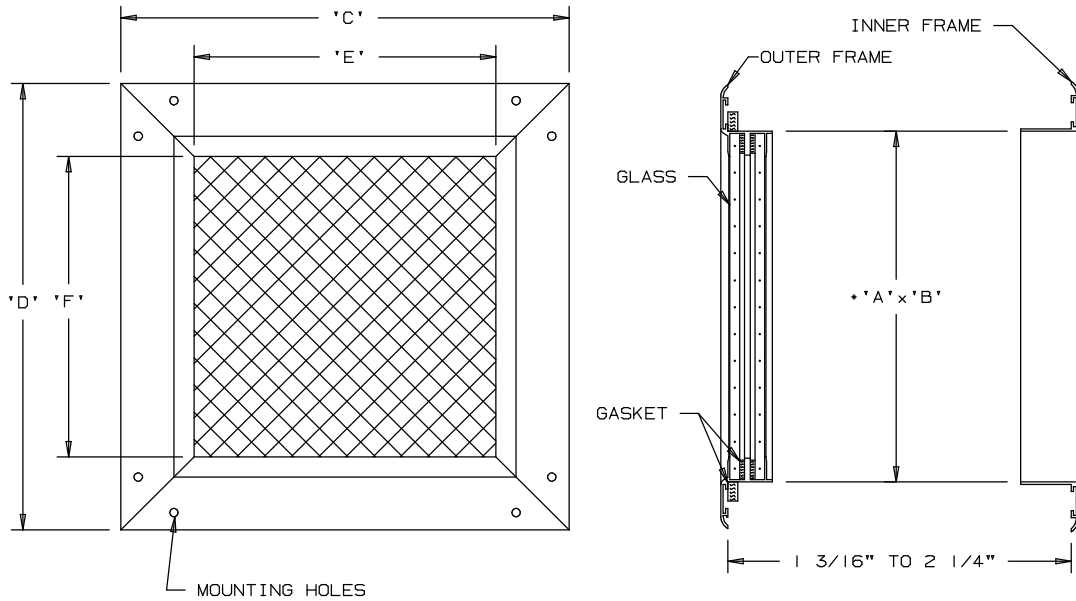
NOTES

- HINGE ALWAYS FURNISHED ON *B* HEIGHT DIMENSION.
- (G) DESIGNATES DOORS WITH GLASS VIEWPORTS, SPECIFY (L/H) LEFT HAND OR (R/H) RIGHT HAND HINGE WHEN VIEWING FROM THE OUTSIDE.
- 9" x 9" GLASS VIEWPORT NOT AVAILABLE ON UNITS UNDER 18" IN WIDTH AND 12" x 12" VIEWPORTS NOT AVAILABLE ON UNITS UNDER 21" IN WIDTH.
- UNLESS OTHERWISE SPECIFIED, DOOR WILL BE FABRICATED 1/4" UNDER LISTED SIZE. DIMENSIONAL TOLERANCE IS ±.075.
- UNLESS OTHERWISE SPECIFIED, STANDARD VIEWPORT LOCATIONS ARE AS FOLLOWS:
 H = *B* - 11" (±1") WHEN *B* IS 20" TO 60"
 H = 48" (±1") WHEN *B* IS GREATER THAN 60"
 WHEN SPECIFYING NON-STANDARD VIEWPORT LOCATIONS, *H* CANNOT BE GREATER THAN *B* - 11"
- MINIMUM SIZE 12" WIDE x 12" HIGH
 MAXIMUM SIZE 48" WIDE x 96" HIGH
 (WIDTH CANNOT EXCEED 2x HEIGHT)
- OPTIONAL MATERIALS AVAILABLE FOR THE FOLLOWING COMPONENTS:
 DOOR PANELS - BONDERIZED STEEL OR STAINLESS STEEL
 VIEWPORT GLASS - SINGLE PANE: 1/4" PLEXIGLASS
 DOUBLE PANE: 1/4" WIRE
 1/4" WIRE THERMAL PANE
 HANDLES - CHROME PLATED
- PLEASE REFER TO INSTALLATION INSTRUCTIONS FOR MOUNTING OF HANDLES, AND DOOR ASSEMBLY MOUNTING.

SPECIFICATIONS

SPECIFICATIONS			PROJECT/LOCATION
FLANGED FRAME 16 GA GALV. STEEL	INSULATION 2.25 LB. DENSITY POLYURETHANE FOAM	HINGE STAINLESS STEEL CONTINUOUS TYPE - IN SWING	ARCHITECT/ENGINEER
DOOR PANELS 20 GA GALV. STEEL	HANDLES DUAL ACTING DIE CAST ZINC	VIEWPORT GLASS (SINGLE PANE) 1/4" WIRE (9"x9" STANDARD) (12"x12" OPTIONAL)	CONTRACTOR
	GASKET CONTINUOUS LENGTH REPLACEABLE NEOPRENE BULB	FINISH MILL	SALES ENGINEER
FABRICATED ACCESS DOOR-MODELS AHH10, 15, 20I			ARROW UNITED INDUSTRIES A DIVISION OF MESTEK, INC. 314 RIVERSIDE DRIVE WYALUSING, PA 18853 TEL: (570) 746-1888 FAX: (570) 746-9286
DRAWN BY LCC DATE 3/18/02			DRAWING NO. 9-401

ARROW TYPE COMPLETE VIEWPORT ASSEMBLIES VCS/VCD



UNION MADE

**GLASS TYPES		
P	=	1/4" PLEXI-GLASS
W	=	1/4" WIRE GLASS
T	=	THERMAL PANE (1) 1/4" WIRE, (1) 1/4" CLEAR

SCHEDULE

ITEM	QTY	VCS SINGLE PANE	VCS DOUBLE PANE	GLASS TYPE**			NOMINAL OPENING SIZE		OUTSIDE FRAME SIZE		VIEW SIZE		IDENTIFICATION
				P	W	T	*A' WIDTH	*B' HEIGHT	*C' WIDTH	*D' HEIGHT	*E' WIDTH	*F' HEIGHT	
							9 7/16"	9 7/16"	11 3/4"	11 3/4"	7 13/16"	7 13/16"	EXAMPLE
							12 7/16"	12 7/16"	14 3/4"	14 3/4"	10 13/16"	10 13/16"	EXAMPLE

NOTES

- UNLESS OTHERWISE SPECIFIED, VIEWPORT WILL BE FABRICATED 3/16" LESS THAN LISTED SIZE TOLERANCE IS ± .075.
- MINIMUM SIZE, 6" SQUARE, MAXIMUM SIZE, 24" SQUARE.
- VIEW SIZE IS 1 5/8" UNDER NOMINAL OPENING SIZE.
- VIEW PORT WILL ACCOMMODATE A MAXIMUM WALL THICKNESS OF 2 1/4". CONSULT FACTORY IF WALL IS LESS THAN 1 3/16" THICK.
- THESE VIEWPORT UNITS ARE NOT LEAK PROOF.
- ON MODEL VCD-T, WIRE GLASS WILL BE ON OUTSIDE OF VIEWPORT.

SPECIFICATIONS

FRAME INNER-.060-6063-T5 EXTRUDED ALUM. OUTER-.060-6063-T5 EXTRUDED ALUM.	GLASS ALL PANES 1/4" THICK	MOUNTING HOLES STANDARD-CORNERS ONLY OPTIONAL-NO HOLES
	GASKET NEOPRENE/ETHER	FINISH MILL

PROJECT/LOCATION
ARCHITECT/ENGINEER
CONTRACTOR
SALES ENGINEER
ARROW UNITED INDUSTRIES A DIVISION OF MESTEK, INC. 314 RIVERSIDE DRIVE WYALUSING, PA 18853 TEL: (570) 746-1888 FAX: (570) 746-9286

VIEWPORT COMPLETE ASSEMBLY-MODEL VCS & VCD	DRAWN BY LCC DATE 4/24/02
--	------------------------------------

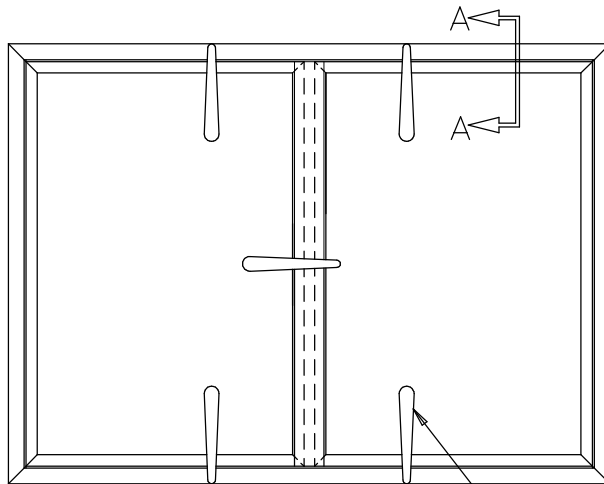
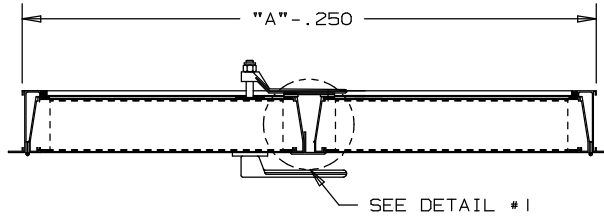
DRAWING NO. 9-500

NOTE: THIS PRODUCT IS NOT
AIR/WATER LEAK TESTED.

CHG
LTR

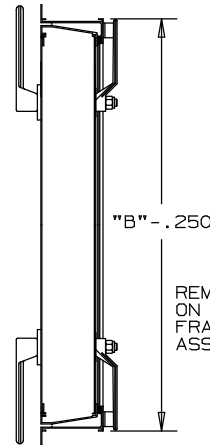
REVISION

DATE APVD



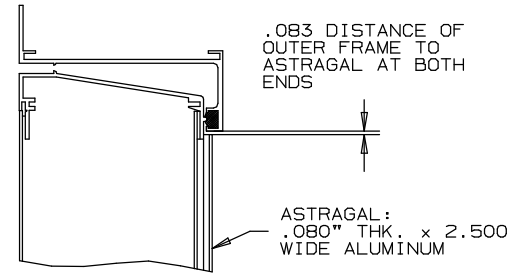
ELEVATION

LATCH QUANTITY
& MOUNTING LOCATION
DEPENDENT ON DOOR
SIZE

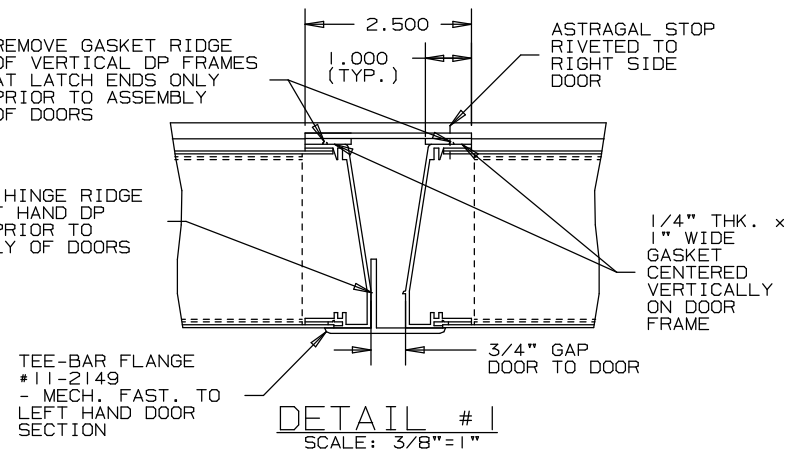


REMOVE HINGE RIDGE
ON LEFT HAND DP
FRAME PRIOR TO
ASSEMBLY OF DOORS

REMOVE GASKET RIDGE
OF VERTICAL DP FRAMES
AT LATCH ENDS ONLY
PRIOR TO ASSEMBLY
OF DOORS



SECTION A-A
SCALE: 3/8"=1"



DETAIL #1
SCALE: 3/8"=1"

SIZING CALCULATIONS: (BASED ON 1/4" DEDUCT)

"A" = WALL OPENING WIDTH
"B" = WALL OPENING HEIGHT

HORIZONTAL OUTER FRAME LENGTHS (2) = "A"+1.722
VERTICAL OUTER FRAME LENGTHS (2) = "B"+1.722
HORIZONTAL DOOR FRAME LENGTHS (4) = ("A"/2)-1.000
VERTICAL DOOR FRAME LENGTHS (4) = "B"-1.250
HORIZONTAL I-BEAM LENGTHS = ("A"/2)-4.000
LATCH HOLE SUPPORTS (NUMBER OF LATCHES) = 3.654
DOOR PANEL WIDTH = ("A"/2)-2.628
DOOR PANEL HEIGHT = "B" - 2.880
BUTT-STRAP LENGTH = "B" - 1.250



ARROW UNITED INDUSTRIES

A Division of Mestek, Inc.

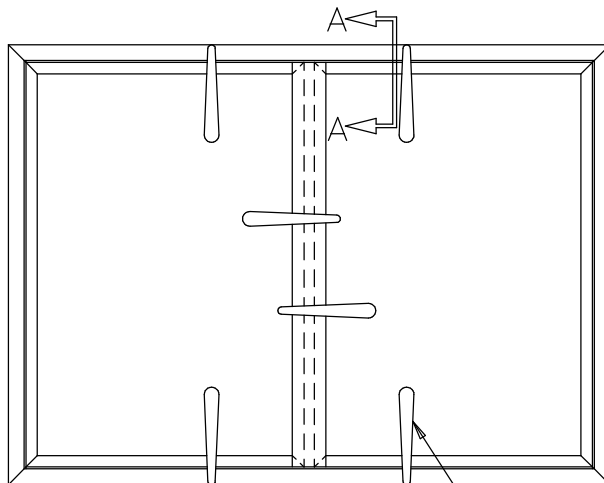
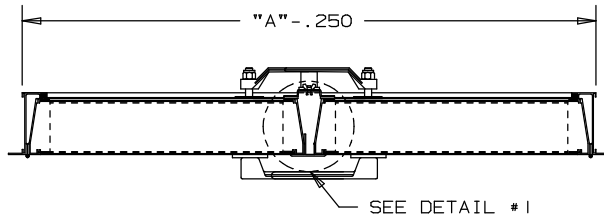
314 Riverside Drive - P.O. Box 69 - Wyalusing, PA 18853

AGENT:

CUST.		AHF40D	
CONTR.		DOUBLE DOOR WITH STATIONARY	
ARCH.		ASTRAGAL	
P.O.		PROJECT	
DWN. KLM	DATE 4/30/02	ARROW JOB NO.	DWG. NO. 9-601
CKD.	EDR.		SHT OF

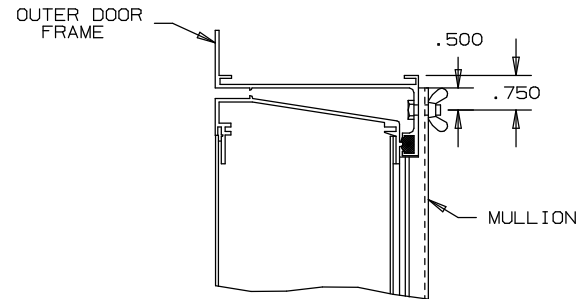
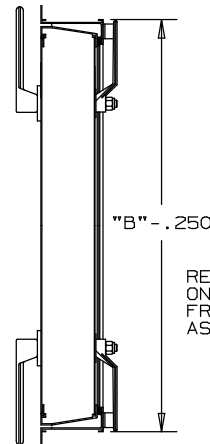
NOTE: THIS PRODUCT IS NOT
AIR/WATER LEAK TESTED.

CHG LTR	REVISION	DATE	APVD
------------	----------	------	------



ELEVATION

LATCH QUANTITY &
MOUNTING LOCATION
DEPENDENT ON DOOR
SIZE

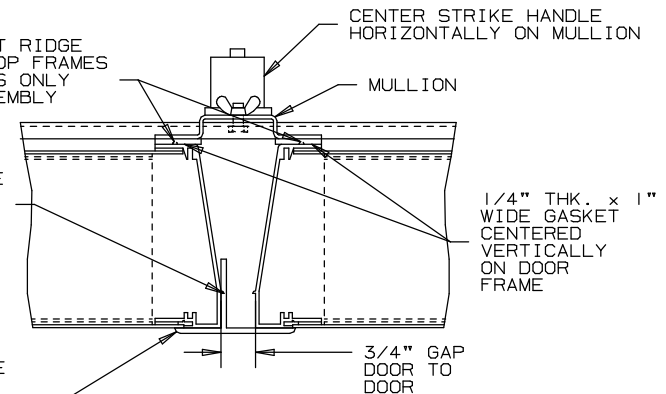


SECTION A-A
SCALE: 3/8"=1"

REMOVE GASKET RIDGE
OF VERTICAL DP FRAMES
AT LATCH ENDS ONLY
PRIOR TO ASSEMBLY
OF DOORS

REMOVE HINGE RIDGE
ON LEFT HAND DP
FRAME PRIOR TO
ASSEMBLY OF DOORS

TEE-BAR FLANGE
#11-2149
- MECH. FAST. TO
LEFT HAND DOOR
SECTION



DETAIL #1
SCALE: 3/8"=1"

SIZING CALCULATIONS: (BASED ON 1/4" DEDUCT)

"A" = WALL OPENING WIDTH
"B" = WALL OPENING HEIGHT

HORIZONTAL OUTER FRAME LENGTHS (2) = "A"+1.722
VERTICAL OUTER FRAME LENGTHS (2) = "B"+1.722
HORIZONTAL DOOR FRAME LENGTHS (4) = ("A"/2)-1.000
VERTICAL DOOR FRAME LENGTHS (4) = "B"-1.250
HORIZONTAL I-BEAM LENGTHS = ("A"/2)-4.000
LATCH HOLE SUPPORTS (NUMBER OF LATCHES) = 3.654
DOOR PANEL WIDTH = ("A"/2)-2.628
DOOR PANEL HEIGHT = "B" - 2.880
TEE-BAR LENGTH (1) = "B" - 1.250



ARROW UNITED INDUSTRIES

A Division of Mestek, Inc.

314 Riverside Drive - P.O. Box 69 - Wyalusing, PA 18853

AGENT:

CUST.	AHF40D DOUBLE DOOR WITH MULLION ASSEMBLY		
CONTR.			
ARCH.			
P.O.	PROJECT		
DWN. KLM	DATE 4/30/02	ARROW JOB NO.	DWG. NO. 9-602
CKD.	EDR.		SHT OF

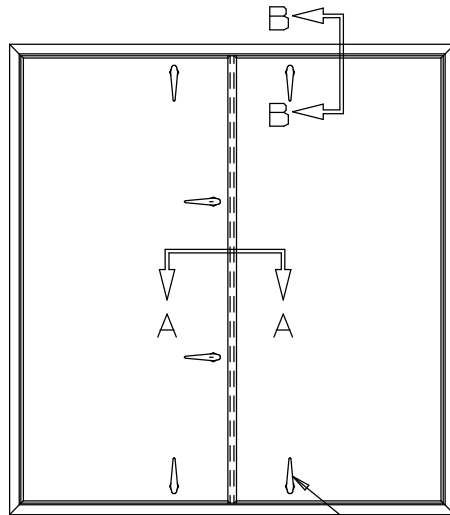
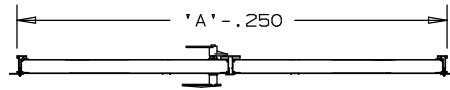
1002-B-APRIL-2004

NOTE: THIS PRODUCT IS NOT
AIR/WATER LEAK TESTED.

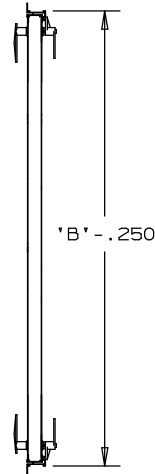
CHG
LTR

REVISION

DATE APVD



ELEVATION

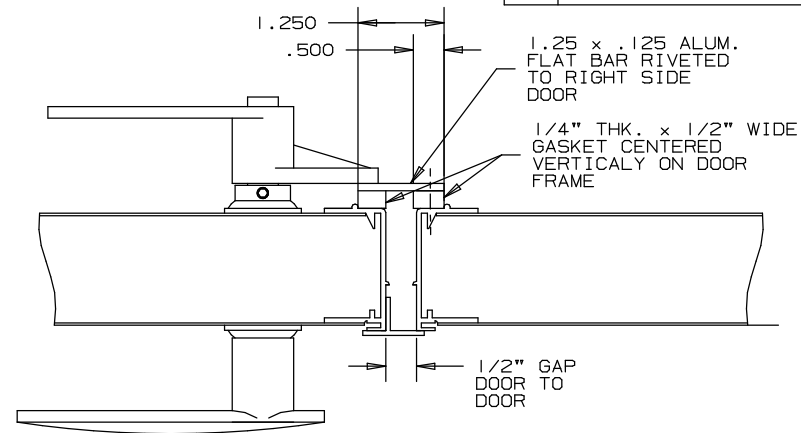


LATCH QUANTITY AND
MOUNTING LOCATION
DEPENDENT ON DOOR
SIZE

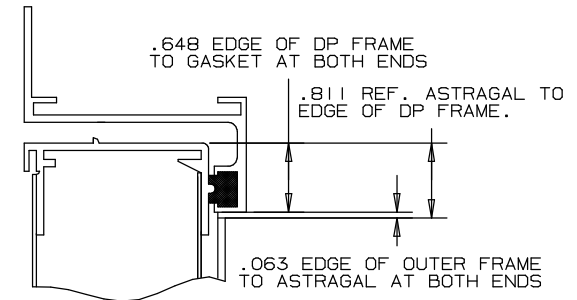
SIZING CALCULATIONS (BASED ON 1/4" DEDUCT)

'A' = WALL OPENING WIDTH
'B' = WALL OPENING HEIGHT

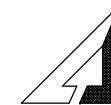
HORIZONTAL OUTER FRAME LENGTHS (2) = 'A'+1.722
 VERTICAL OUTER FRAME LENGTHS (2) = 'B'+1.722
 HORIZONTAL DOOR FRAME LENGTHS (4) = ('A'/2)-.877
 VERTICAL DOOR FRAME LENGTHS (4) = 'B'-1.254
 HORIZONTAL I-BEAM = ('A'/2)-3.000
 HANDLE SUPPORT I-BEAM LENGTH = 2.000 (1 PER LATCH)
 DOOR PANEL WIDTH = ('A'/2)-1.554
 DOOR PANEL HEIGHT = 'B'-1.931
 ASTRAGAL STOP LENGTH (1) = 'B'-2.875
 TEE-BAR LENGTH (1) = 'B' - 1.254
 ASTRAGAL GASKET LENGTH (2) = 'B'-2.550



SECTION A-A



SECTION B-B



ARROW UNITED INDUSTRIES

A Division of Mestek, Inc.

314 Riverside Drive - P.O. Box 69 - Wyalusing, PA 18853

AGENT:

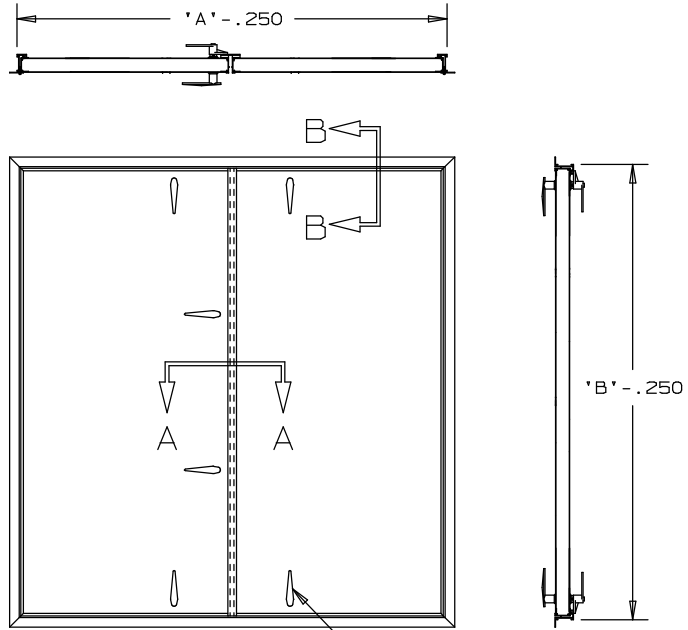
CUST.		DOUBLE ACCESS DOOR W/ ASTRAGAL MODEL: AHF10,15,20D	
CONTR.			
ARCH.			
P.O.		PROJECT	
DWN. LIONEL CARTER	DATE 4/26/02	ARROW JOB NO.	DWG. NO. 9-600
CKD.	EDR.		SHT OF

1003-B-APRIL-2004

CHG
LTR

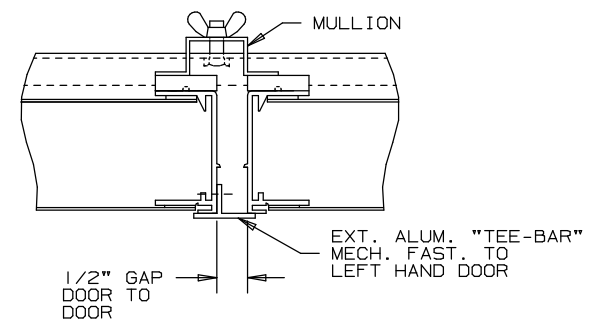
REVISION

DATE APVD

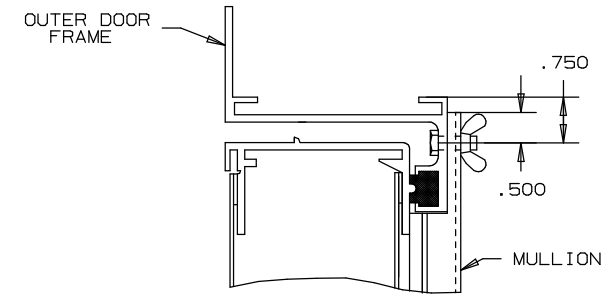


ELEVATION

LATCH QUANTITY AND MOUNTING LOCATION DEPENDENT ON DOOR SIZE



SECTION A-A




SECTION B-B

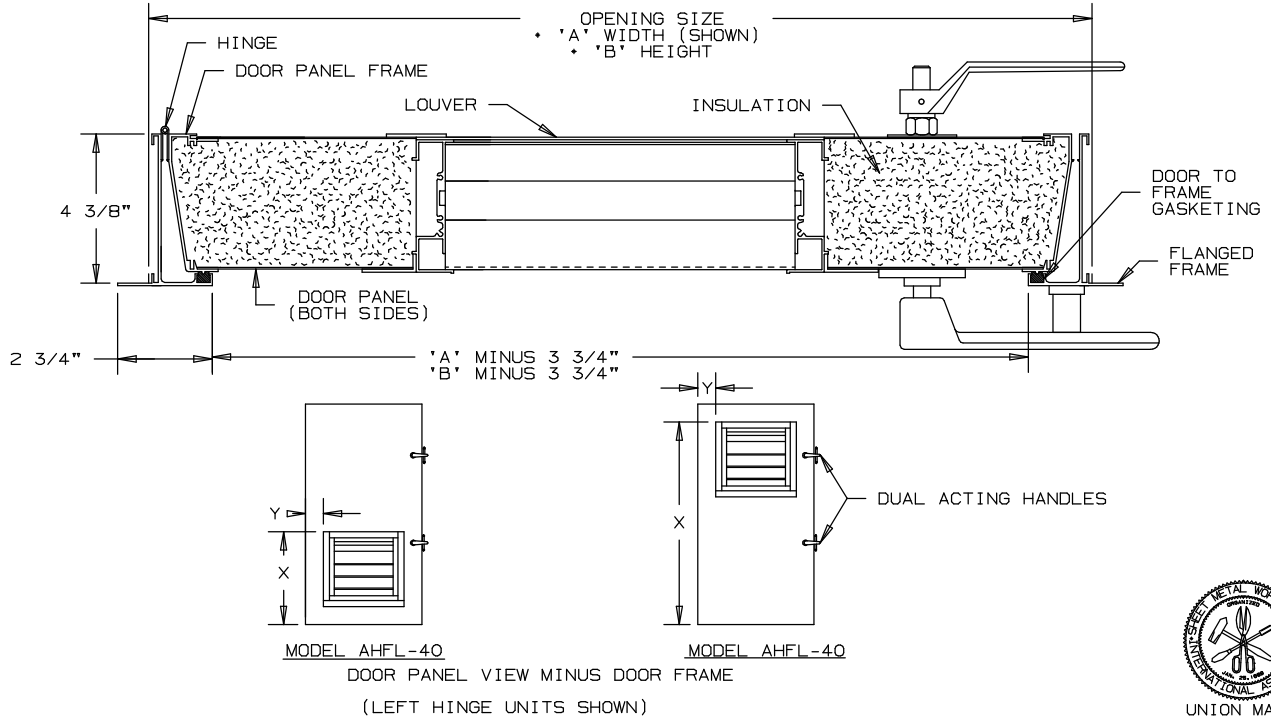
SIZING CALCULATIONS (BASED ON 1/4" DEDUCT)

'A' = WALL OPENING WIDTH
'B' = WALL OPENING HEIGHT

- HORIZONTAL OUTER FRAME LENGTHS (2) = 'A'+1.722
- VERTICAL OUTER FRAME LENGTHS (2) = 'B'+1.722
- HORIZONTAL DOOR FRAME LENGTHS (4) = ('A'/2)-.877
- VERTICAL DOOR FRAME LENGTHS (4) = 'B'-1.254
- HORIZONTAL I-BEAM = ('A'/2)-3.000
- HANDLE SUPPORT I-BEAM LENGTH = 2.000 (1 PER LATCH)
- DOOR PANEL WIDTH = ('A'/2)-1.554
- DOOR PANEL HEIGHT = 'B'-1.931
- TEE-BAR LENGTH (1) = 'B' - 1.254

 <p>ARROW UNITED INDUSTRIES A Division of Mestek, Inc. 314 Riverside Drive - P.O. Box 69 - Wyalusing, PA 18853</p>		AGENT:	
		<p>CUST.</p>	
<p>CONTR.</p>		<p>MODEL: AHF 10, 15, 20-D DOUBLE ACCESS DOOR WITH MULLION ASSEMBLY</p>	
<p>ARCH.</p>		<p>PROJECT</p>	
<p>P.O.</p>		<p>ARROW JOB NO.</p>	
<p>DWN. KLM</p>	<p>DATE 5/21/02</p>	<p>DWG. NO. 9-605</p>	<p>SHT OF</p>
<p>CKD.</p>	<p>EDR.</p>	<p>1008-5/21/02</p>	

ARROW (IN-SWING ONLY) TYPE STANDARD ACCESS DOOR W/LOUVERS AHFL-40



SCHEDULE

ITEM	QTY	MODEL			OPENING SIZE		LOUVER SIZE (W x H)	D.O.D. OF FLANGE	LOUVER LOCATION ("X" AND "Y") O.D. DIMENSIONS
		AHFL-40	L/H	R/H	*'A' WIDTH	*'B' HEIGHT	EA-400-F LOUVER		
		AHFL-40							
		AHFL-40							

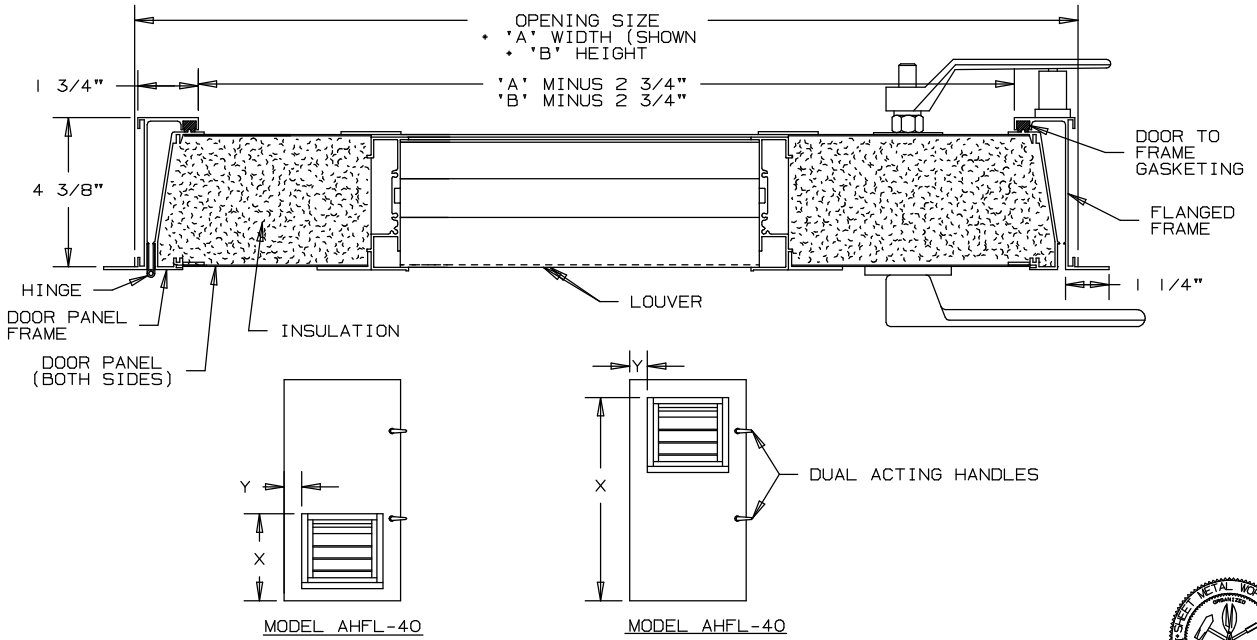
NOTES

1. HINGE ALWAYS FURNISHED ON 'B' HEIGHT DIMENSION.
2. (L) DESIGNATES DOORS WITH LOUVERS, SPECIFY (L/H) LEFT HAND OR (R/H) RIGHT HAND HINGE WHEN VIEWING FROM THE OUTSIDE.
3. MINIMUM LOUVER SIZE IS 12"x12". MAXIMUM LOUVER SIZE IS FULL DOOR PANEL SIZE. LOUVER LOCATION USE X-Y DIMENSIONS.
4. UNLESS OTHERWISE SPECIFIED, DOOR WILL BE FABRICATED 1/4" UNDER LISTED SIZE. DIMENSIONAL TOLERANCE IS ±.075.
5. MINIMUM SIZE 12" WIDE x 12" HIGH MAXIMUM SIZE 48" WIDE x 96" HIGH (WIDTH CANNOT EXCEED 2x HEIGHT)
6. OPTIONAL MATERIALS AVAILABLE FOR THE FOLLOWING COMPONENTS:
DOOR PANELS-BONDERIZED STEEL, ALUMINUM OR STAINLESS STEEL
HANDLES-CHROME PLATED
7. PLEASE REFER TO INSTALLATION INSTRUCTIONS FOR MOUNTING OF HANDLES, AND DOOR ASSEMBLY MOUNTING.

SPECIFICATIONS

<p>FLANGED FRAME .080-6063-T5 EXTRUDED ALUMINUM</p> <p>DOOR PANEL FRAME .080-6063-T5 EXTRUDED ALUMINUM</p> <p>I-BEAM SUPPORT .060-6063-T5 EXTRUDED ALUMINUM</p>	<p>DOOR PANELS 20 GA. GALVANIZED STEEL</p> <p>INSULATION 2.25 LB. DENSITY POLYURETHANE FOAM</p> <p>HANDLES #310 DUAL ACTING DIE CAST ZINC</p> <p>GASKET CONTINUOUS LENGTH EXTRUDED FOAMED SANTOPRENE</p>	<p>HINGE STAINLESS STEEL CONTINUOUS TYPE</p> <p>FINISH MILL</p>	<p>PROJECT/LOCATION</p> <p>ARCHITECT/ENGINEER</p> <p>CONTRACTOR</p> <p>SALES ENGINEER</p>
<p>ACCESS DOOR-MODEL AHFL-40</p>			<p> ARROW UNITED INDUSTRIES A DIVISION OF MESTEK, INC. 314 RIVERSIDE DRIVE WYALUSING, PA 18853 TEL: (570) 746-1888 FAX: (570) 746-9286 </p>
		<p>DRAWN BY JRL</p> <p>DATE 7-25-06</p>	<p>DRAWING NO. 38534-D</p>

ARROW (OUT-SWING ONLY) TYPE STANDARD ACCESS DOOR W/LOUVERS AHFL-40



DOOR PANEL VIEW MINUS FRAME
(LEFT HINGE UNITS SHOWN)

SCHEDULE

ITEM	QTY	MODEL		OPENING SIZE		LOUVER SIZE (W x H) O.D. OF FLANGE	LOUVER LOCATION ("X" AND "Y") O.D. DIMENSIONS
		AHFL-40	L/H R/H	'A' WIDTH	'B' HEIGHT		
		AHFL-40				EA-400-F LOUVER	
		AHFL-40					
		AHFL-40					

NOTES

1. HINGE ALWAYS FURNISHED ON 'B' HEIGHT DIMENSION.
2. (L) DESIGNATES DOORS WITH LOUVERS. SPECIFY (L/H) LEFT HAND OR (R/H) RIGHT HAND HINGE WHEN VIEWING FROM THE OUTSIDE.
3. MINIMUM LOUVER SIZE IS 12"x12". MAXIMUM LOUVER SIZE IS FULL DOOR PANEL SIZE. LOUVER LOCATION USE X-Y DIMENSIONS.
- *4. UNLESS OTHERWISE SPECIFIED, DOOR WILL BE FABRICATED 1/4" UNDER LISTED SIZE. DIMENSIONAL TOLERANCE IS ±.075.
5. MINIMUM SIZE 12" WIDE x 12" HIGH
MAXIMUM SIZE 48" WIDE x 96" HIGH
(WIDTH CANNOT EXCEED 2x HEIGHT)
6. OPTIONAL MATERIALS AVAILABLE FOR THE FOLLOWING COMPONENTS:
DOOR PANELS-BONDERIZED STEEL, ALUMINUM OR STAINLESS STEEL
HANDLES-CHROME PLATED
7. PLEASE REFER TO INSTALLATION INSTRUCTIONS FOR MOUNTING OF HANDLES, AND DOOR ASSEMBLY MOUNTING.

SPECIFICATIONS

<p>FLANGED FRAME .080-6063-T5 EXTRUDED ALUMINUM</p> <p>DOOR PANEL FRAME .080-6063-T5 EXTRUDED ALUMINUM</p>	<p>DOOR PANELS 20 GA. GALVANIZED STEEL</p> <p>INSULATION 2.25 LB. DENSITY POLYURETHANE FOAM</p> <p>HANDLES *310 DUAL ACTING DIE CAST ZINC</p> <p>GASKET CONTINUOUS LENGTH EXTRUDED FOAMED SANTOPRENE</p>	<p>HINGE STAINLESS STEEL CONTINUOUS TYPE</p> <p>FINISH MILL</p>
--	--	---

PROJECT/LOCATION
ARCHITECT/ENGINEER
CONTRACTOR
SALES ENGINEER
ARROW UNITED INDUSTRIES A DIVISION OF MESTEK, INC. 314 RIVERSIDE DRIVE WYALUSING, PA 18853 TEL: (570) 746-1888 FAX: (570) 746-9286

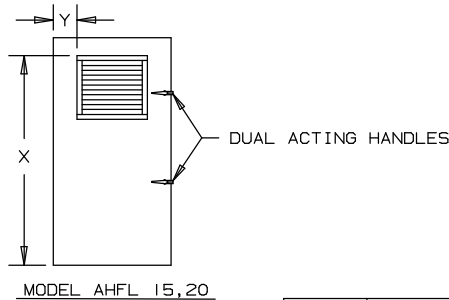
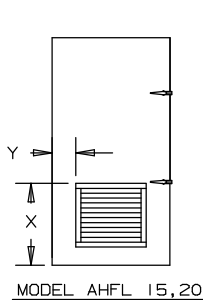
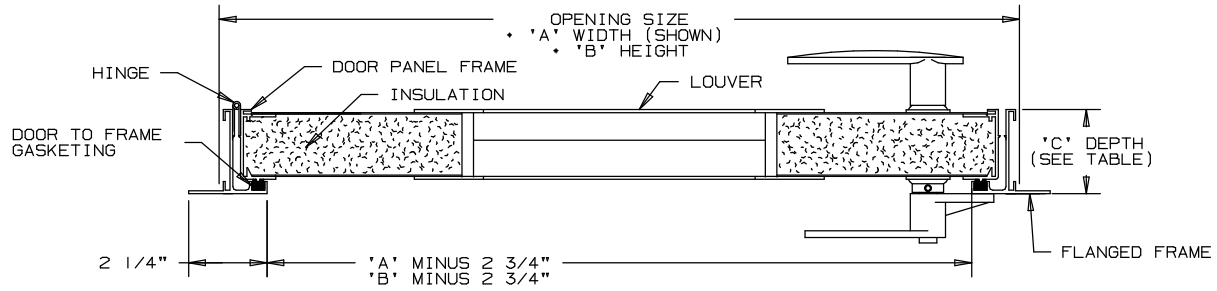
ACCESS DOOR-MODEL AHFL-40

DRAWN BY JRL
DATE 7-25-06

DRAWING NO.
38534-C

ARROW (IN-SWING ONLY) STANDARD ACCESS DOOR W/LOUVERS

TYPE AHFL-15 -20



DOOR PANEL VIEW MINUS DOOR FRAME
(LEFT HINGE UNITS SHOWN)

MODEL	*C' DEPTH
-15	1 7/8"
-20	2 3/8"



ITEM	QTY	MODEL				OPENING SIZE		LOUVER SIZE (W + H) O.D. OF FLANGE		LOUVER LOCATION
		AHFL	-15	-20	L/H	R/H	*A' WIDTH	*B' HEIGHT	AHFL-15	AHFL-20
		AHFL						EA-150-F LOUVER	EA-200-F LOUVER	
		AHFL								

NOTES

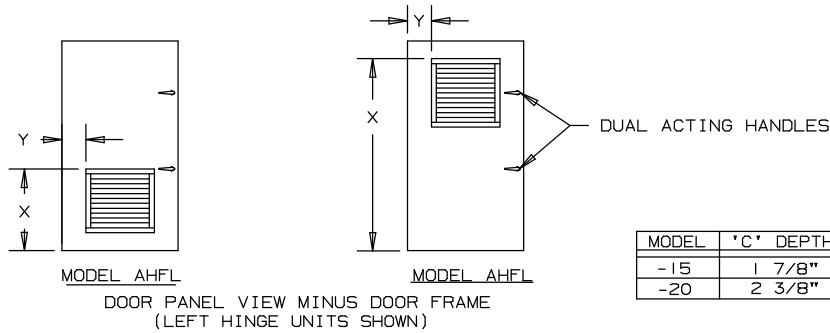
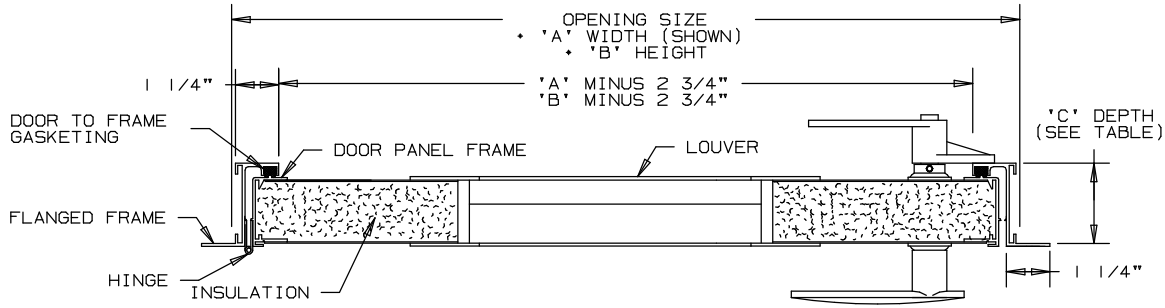
- HINGE ALWAYS FURNISHED ON 'B' HEIGHT DIMENSION.
- (L) DESIGNATES DOORS WITH LOUVERS SPECIFY (L/H) LEFT HAND OR (R/H) RIGHT HAND HINGE WHEN VIEWING FROM THE OUTSIDE.
- MINIMUM LOUVER SIZE IS 12" x 12". MAXIMUM LOUVER SIZE IS FULL DOOR PANEL SIZE. LOUVER LOCATION: USE X-Y DIMENSION.
- UNLESS OTHERWISE SPECIFIED, DOOR WILL BE FABRICATED 1/4" UNDER LISTED SIZE. DIMENSIONAL TOLERANCE IS ±.075.
- MINIMUM SIZE 12" WIDE x 12" HIGH MAXIMUM SIZE 48" WIDE x 96" HIGH (WIDTH CANNOT EXCEED 2x HEIGHT)
- OPTIONAL MATERIALS AVAILABLE FOR THE FOLLOWING COMPONENTS:
DOOR PANELS-BONDERIZED STEEL, ALUMINUM OR STAINLESS STEEL
HANDLES-CHROME PLATED
- PLEASE REFER TO INSTALLATION INSTRUCTIONS FOR MOUNTING OF HANDLES, AND DOOR ASSEMBLY MOUNTING.

SPECIFICATIONS

SPECIFICATIONS			PROJECT/LOCATION
FLANGED FRAME .080-6063-T5 EXTRUDED ALUMINUM DOOR PANEL FRAME .080-6063-T5 EXTRUDED ALUMINUM	DOOR PANELS 20 GA. GALVANIZED STEEL INSULATION 2.25 LB. DENSITY POLYURETHANE FOAM HANDLES DUAL ACTING DIE CAST ZINC GASKET CONTINUOUS LENGTH EXTRUDED FOAMED SANTOPRENE	HINGE STAINLESS STEEL CONTINUOUS TYPE FINISH MILL	ARCHITECT/ENGINEER CONTRACTOR SALES ENGINEER
ACCESS DOOR-MODELS AHFL -15,20			ARROW UNITED INDUSTRIES A DIVISION OF MESTEK, INC. 314 RIVERSIDE DRIVE WYALUSING, PA 18853 TEL: (570) 746-1888 FAX: (570) 746-9286
DRAWN BY JRL DATE 7-25-06			DRAWING NO. 38534-B

ARROW (OUT-SWING ONLY) STANDARD ACCESS DOOR W/LOUVERS

TYPE AHFL-15 -20



MODEL	'C' DEPTH
-15	1 7/8"
-20	2 3/8"



ITEM	QTY	MODEL				OPENING SIZE		LOUVER SIZE (W + H) O.D. OF FLANGE		LOUVER LOCATION ("X" AND "Y") O.D. DIMENSIONS
		AHFL	-15	-20	L/H	R/H	'A' WIDTH	'B' HEIGHT	AHFL-15	
		AHFL						EA-150-F LOUVER	EA-200-F LOUVER	
		AHFL								

NOTES

- HINGE ALWAYS FURNISHED ON 'B' HEIGHT DIMENSION.
- (L) DESIGNATES DOORS WITH LOUVERS SPECIFY (L/H) LEFT HAND OR (R/H) RIGHT HAND HINGE WHEN VIEWING FROM THE OUTSIDE.
- MINIMUM LOUVER SIZE IS 12"x12". MAXIMUM LOUVER SIZE IS FULL DOOR PANEL SIZE. LOUVER LOCATION: USE X-Y DIMENSION.
- UNLESS OTHERWISE SPECIFIED, DOOR WILL BE FABRICATED 1/4" UNDER LISTED SIZE. DIMENSIONAL TOLERANCE IS ±.075.
- MINIMUM SIZE 12" WIDE x 12" HIGH
MAXIMUM SIZE 48" WIDE x 96" HIGH
(WIDTH CANNOT EXCEED 2x HEIGHT)
- OPTIONAL MATERIALS AVAILABLE FOR THE FOLLOWING COMPONENTS:
DOOR PANELS-BONDERIZED STEEL, ALUMINUM OR STAINLESS STEEL
HANDLES-CHROME PLATED
- PLEASE REFER TO INSTALLATION INSTRUCTIONS FOR MOUNTING OF HANDLES, AND DOOR ASSEMBLY MOUNTING.

SPECIFICATIONS

FLANGED FRAME
080-6063-T5
EXTRUDED ALUMINUM

DOOR PANEL FRAME
080-6063-T5
EXTRUDED ALUMINUM

DOOR PANELS
20 GA. GALVANIZED STEEL

INSULATION
2.25 LB. DENSITY
POLYURETHANE FOAM

HANDLES
DUAL ACTING
DIE CAST ZINC

GASKET
CONTINUOUS LENGTH EXTRUDED
FOAMED SANTOPRENE

HINGE
STAINLESS STEEL CONTINUOUS
TYPE

FINISH
MILL

PROJECT/LOCATION

ARCHITECT/ENGINEER

CONTRACTOR

SALES ENGINEER

ARROW UNITED INDUSTRIES
A DIVISION OF MESTEK, INC.
314 RIVERSIDE DRIVE
WYALUSING, PA 18853
TEL: (570) 746-1888
FAX: (570) 746-9286

ACCESS DOOR-MODELS AHFL-15,20

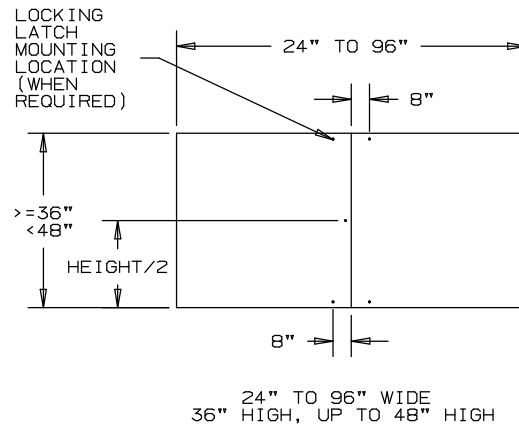
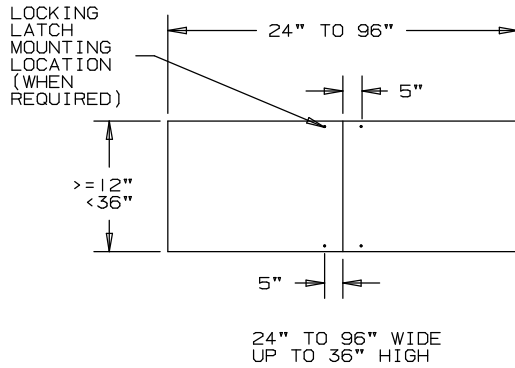
DRAWN BY
JRL
DATE
7-24-06

DRAWING NO.
38534

ARROW

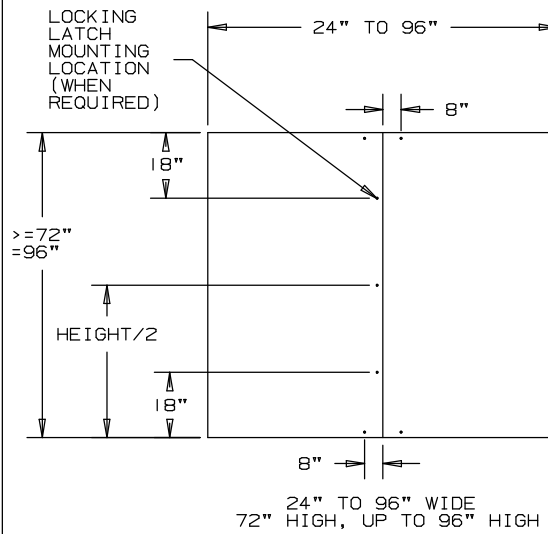
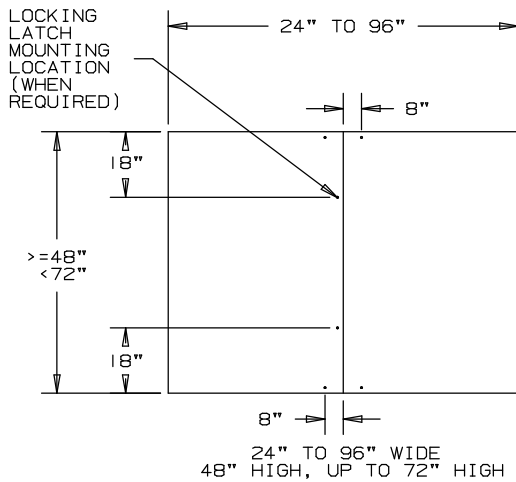
LATCH MOUNTING LOCATIONS ON ALUMINUM AHF SERIES DOUBLE DOORS WITH FIXED ASTRAGAL

ASTRAGAL MECHANICALLY FASTENED TO RIGHT-HAND DOOR



4 LATCH DOOR ASSEMBLY

5 LATCH DOOR ASSEMBLY



6 LATCH DOOR ASSEMBLY

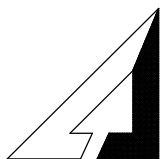
7 LATCH DOOR ASSEMBLY

DOOR LATCH HOLE SIZES

INNER DOOR PANEL	OUTER DOOR PANEL	LATCH TYPE
.512 DIA.	.512 DIA.	STANDARD
.512 DIA.	.750 DIA.	KEY LOCK
.512 DIA.	.688 DIA.	TOOL LOCK
.512 DIA.	.512 & .197 DIA.	AUSTIN ROMTECH
NONE	NONE	SURFACE MOUNT

LATCH HOLE OFFSET FROM EDGE OF DOOR PANEL

INNER DOOR PANEL	OUTER DOOR PANEL
260 VENTLOCK	1.562
310 VENTLOCK	.750 DIA.
SURFACE MOUNT	4.402
AUSTIN ROMTECH	1.500
CUST. SUPPLIED	AS REQUIRED



ARROW UNITED INDUSTRIES
A DIVISION OF MESTEK, INC.

314 RIVERSIDE DRIVE
WYALUSING, PA 18853

TEL: (570) 746-1888 FAX: (570) 746-9286

AGENT: _____

ARCH./ENG. :

CONTR. :

PROJECT :

EDR :

ECN :

JOB :

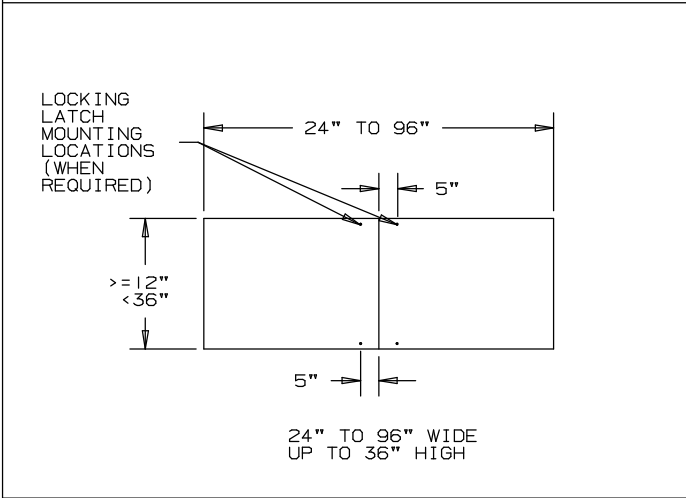
DATE :

DWN. :

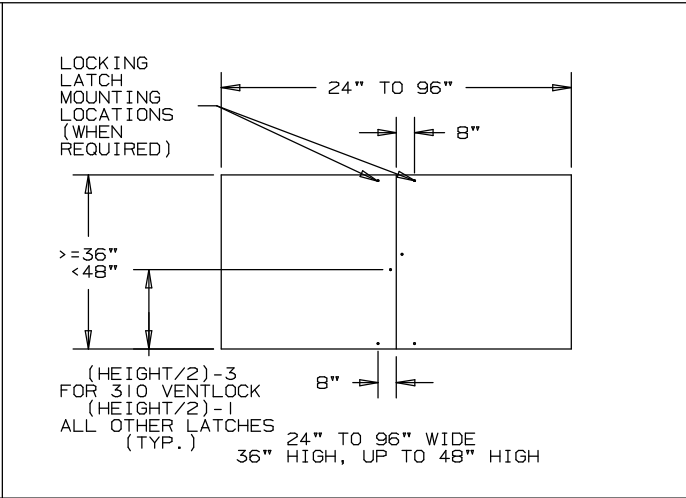
DWG. : 9-603

ARROW

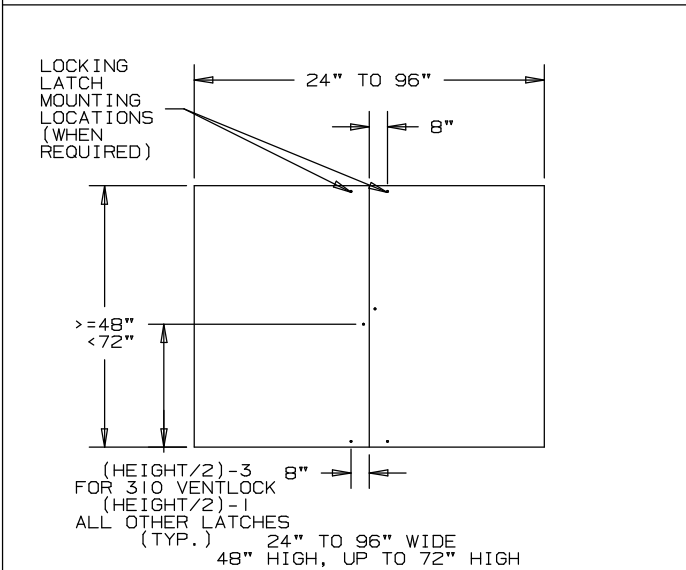
LATCH MOUNTING LOCATIONS ON ALUMINUM AHF SERIES DOUBLE DOORS WITH REMOVABLE MULLION



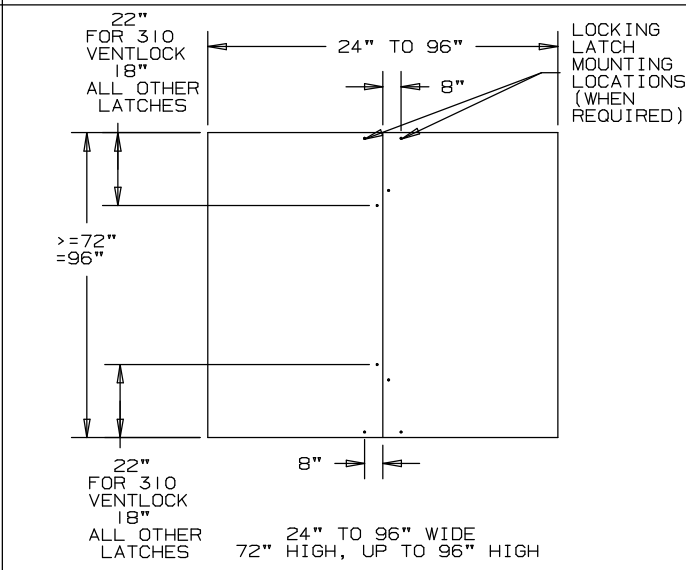
4 LATCH DOOR ASSEMBLY



6 LATCH DOOR ASSEMBLY



6 LATCH DOOR ASSEMBLY



8 LATCH DOOR ASSEMBLY

DOOR LATCH HOLE SIZES		
INNER DOOR PANEL	OUTER DOOR PANEL	LATCH TYPE
.512 DIA.	.512 DIA.	STANDARD
.512 DIA.	.750 DIA.	KEY LOCK
.512 DIA.	.688 DIA.	TOOL LOCK
.512 DIA.	.512 & .197 DIA.	AUSTIN ROMTECH
NONE	NONE	SURFACE MOUNT

LATCH HOLE OFFSET FROM EDGE OF DOOR PANEL	
INNER DOOR PANEL	OUTER DOOR PANEL
260 VENTLOCK	1.562
310 VENTLOCK	.750 DIA.
SURFACE MOUNT	4.402
AUSTIN ROMTECH	1.500
CUST. SUPPLIED	AS REQUIRED



ARROW UNITED INDUSTRIES
A DIVISION OF MESTEK, INC.

314 RIVERSIDE DRIVE
WYALUSING, PA 18853

TEL: (570) 746-1888 FAX: (570) 746-9286

AGENT: _____

ARCH./ENG. : _____

CONTR. : _____

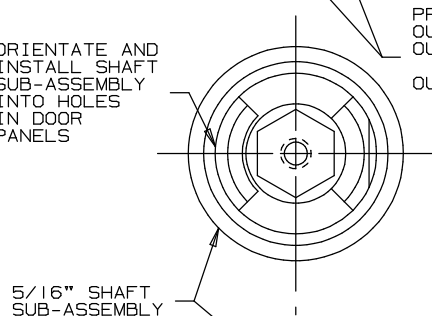
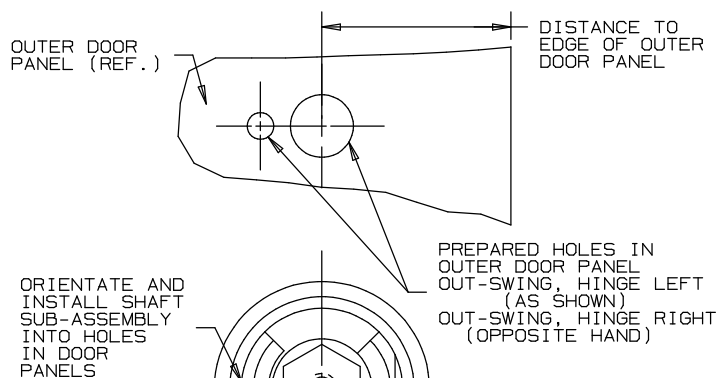
PROJECT : _____

EDR: _____ ECN: _____ JOB: _____

DATE: _____ DWN.: _____ DWG.: 9-604

AUSTIN-ROMTECH NON-LOCKING AND LOCKING OUT-SWING DOOR LATCH INSTALLATION

1" - 1 1/2" - 2" - 4" THICK DOORS

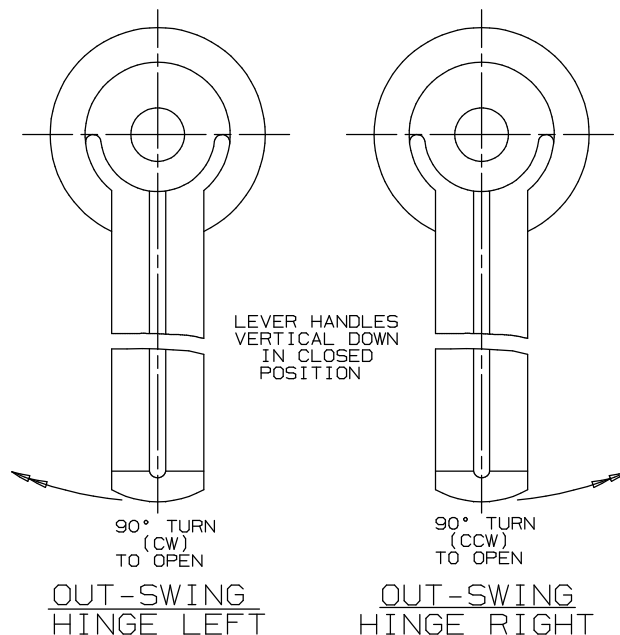
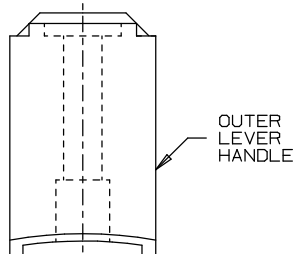


OUT-SWING, HINGE LEFT (SHOWN)
OUT-SWING, HINGE RIGHT (OPPOSITE HAND)

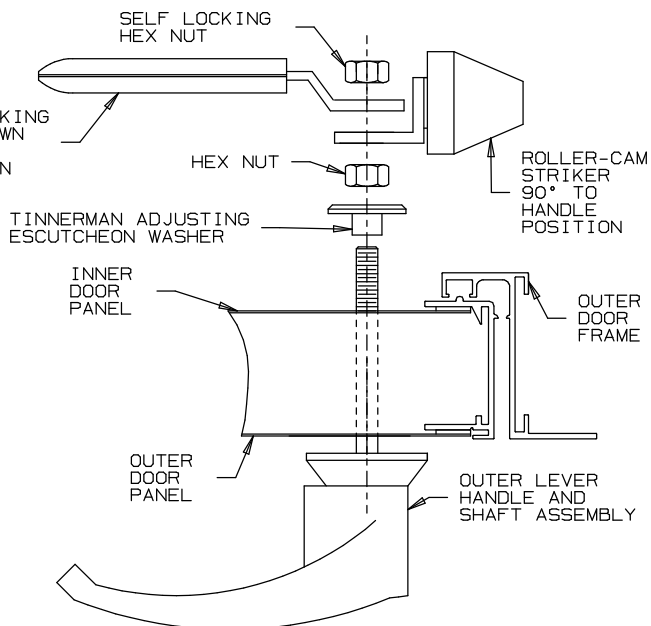
SNAP OUTER LEVER HANDLE INTO 5/16" SHAFT SUB-ASSEMBLY, INSERT AND TIGHTEN SLOTTED HEAD MACHINE SCREW, PRESS IN SCREW COVER

SLOTTED HEAD MACHINE SCREW

SCREW COVER

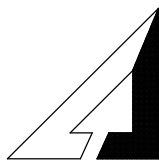


INSIDE NON-LOCKING HANDLE, 45° DOWN TO OUTER LEVER HANDLE POSITION



NOTE:

1. INSERT SHAFT ASSEMBLY AND LEVER HANDLE AS DESCRIBED ABOVE.
2. SLIDE ON TINNERMAN WASHER UP AGAINST INNER DOOR PANEL WHILE PRESSING LEVER HANDLE AGAINST OUTER DOOR PANEL.
3. INSTALL HEX NUT, ROLLER CAM, INSIDE HANDLE, AND SELF-LOCKING HEX NUT ON SHAFT. ADJUST TO COMPRESS DOOR GASKET AND/OR DESIRED CLOSED POSITION. ADJUST AS NECESSARY.



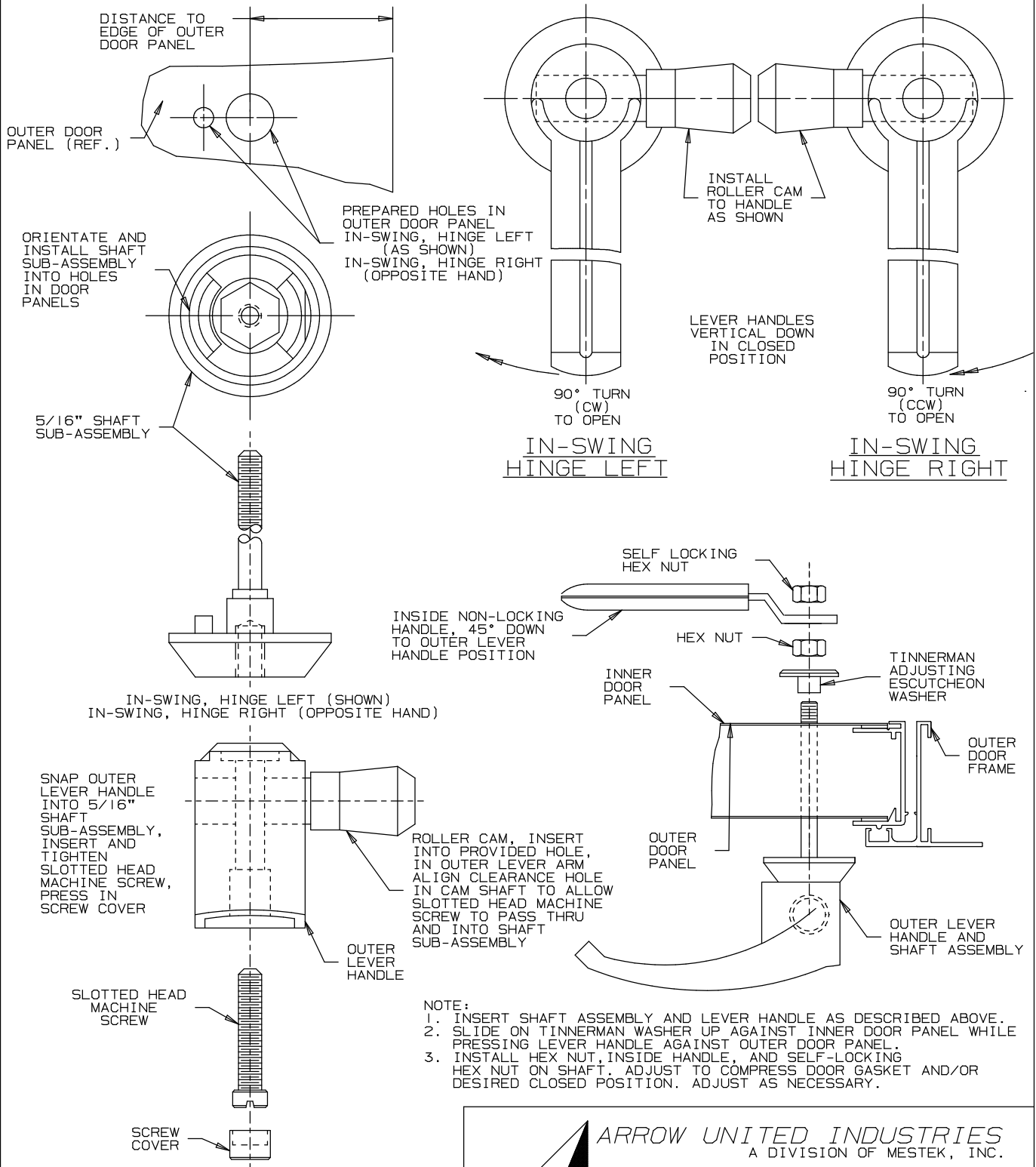
ARROW UNITED INDUSTRIES
A DIVISION OF MESTEK, INC.

314 RIVERSIDE DRIVE
WYALUSING, PA 18853

TEL: (570) 746-1888 FAX: (570) 746-9286

AUSTIN-ROMTECH NON-LOCKING AND LOCKING IN-SWING DOOR LATCH INSTALLATION

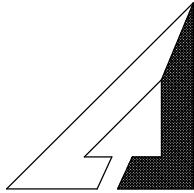
1" - 1 1/2" - 2" - 4" THICK DOORS



ARROW UNITED INDUSTRIES
A DIVISION OF MESTEK, INC.

314 RIVERSIDE DRIVE
WYALUSING, PA 18853

TEL: (570) 746-1888 FAX: (570) 746-9286

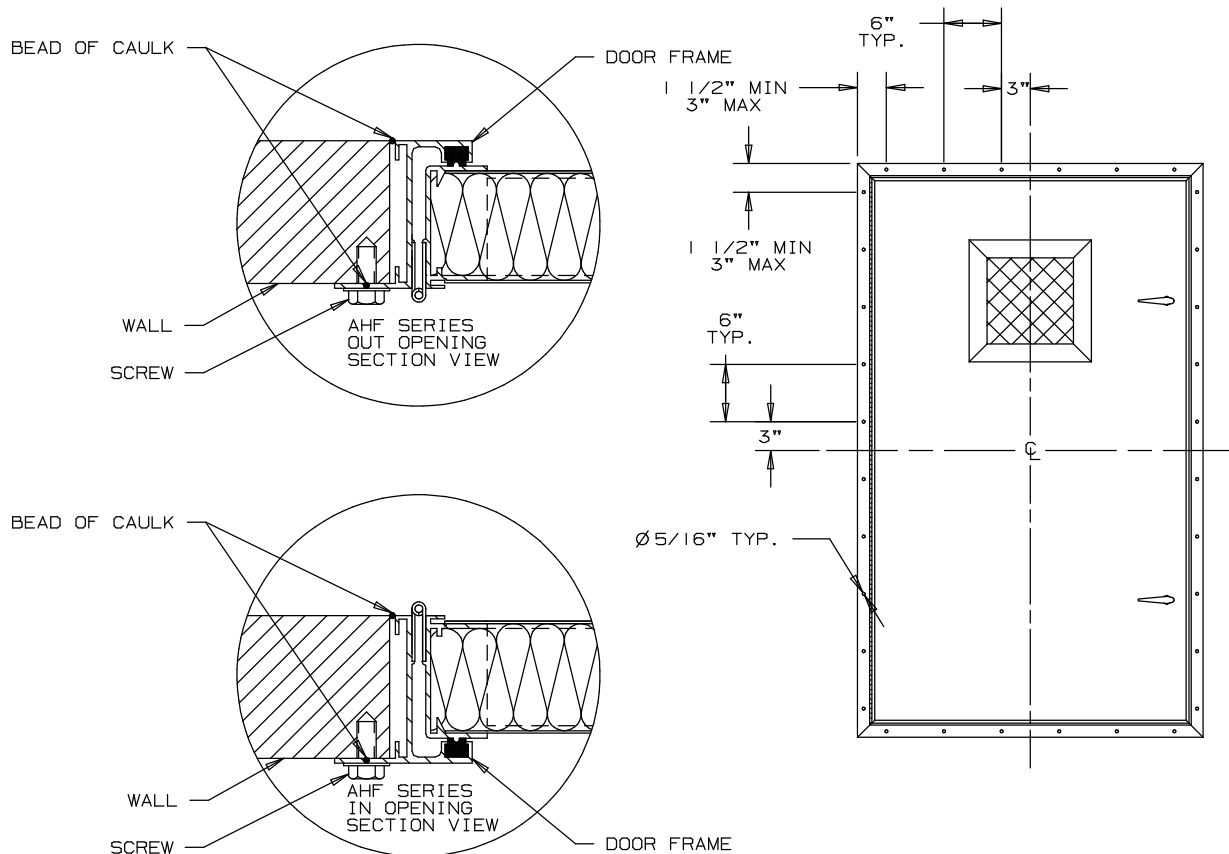


ARROW UNITED INDUSTRIES
A DIVISION OF MESTEK, INC.

314 RIVERSIDE DRIVE
WYALUSING, PA 18853

TEL: (570) 746-1888
FAX: (570) 746-9286

AHF, AHFZ, AND AHFT SERIES ACCESS DOOR INSTALLATION INSTRUCTIONS



NOTE:

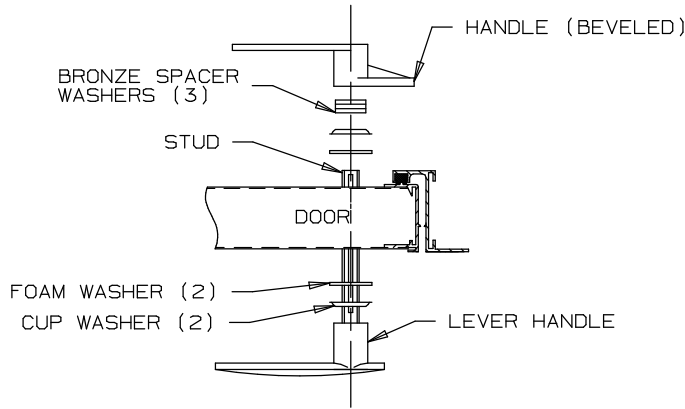
UPON RECEIPT, CHECK CONTAINER FOR ANY DAMAGE THAT MAY HAVE OCCURED DURING TRANSIT. NOTE ANY DAMAGES ON THE DELIVERY RECEIPT. IF CONCEALED DAMAGE HAS OCCURRED, YOU MUST NOTIFY THE FREIGHT CARRIER WITHIN (15) DAYS SO THAT CLAIMS CAN BE FILED.

1. PRIOR TO INSERTING DOOR INTO OPENING, CHECK TO SEE THAT OPENING IS PROPERLY SIZED APPROXIMATELY 1/4" LARGER THAN DOOR ASSEMBLY. WALL SURFACE SHOULD BE FLAT AND EVEN TO PREVENT RACKING OF FRAME.
2. APPLY A BEAD OF SILICONE TYPE CAULK ON EXTERIOR WALL AROUND PERIMETER OF OPENING.
3. PLACE CLOSED DOOR ASSEMBLY INTO OPENING. CENTER AND SQUARE DOOR IN OPENING, DO NOT STRETCH, COMPRESS OR RACK FRAME.
4. TEMPORARY SHIMS MAY BE USED TO HELP MAINTAIN THE LOCATION AND SQUARENESS OF THE DOOR UNTIL IT IS SECURED IN PLACE. WHEN SHIMMING, THE GAP BETWEEN FRAME AND DOOR SHOULD BE EQUAL AT TOP, BOTTOM, AND SIDE OPPOSITE HINGE TO ENSURE SQUARENESS OF DOOR.
5. SECURE DOOR FRAME TO WALL WITH 1/4-14 x 1" SELF-DRILLING SCREWS THROUGH FLANGE AS FOLLOWS: FIRST SECURE AT FOUR CORNERS BY LOCATING SCREWS APPROXIMATELY 2" FROM CORNER. NEXT, SECURE ADDITIONAL SCREWS A MAXIMUM OF 6" ON CENTER, AROUND THE PERIMETER OF THE FRAME. NOTE: RUBBER BUMPERS IN SPACE BETWEEN DOOR AND FRAME, MAY BE REMOVED AFTER THE DOOR ASSEMBLY IS SECURED TO THE WALL.
6. FULLY OPEN AND THEN CLOSE DOOR TO SEE THAT IT IS FREE FROM BINDING AND CLOSES EVENLY. EVEN CLOSURE OCCURS WHEN DOOR AND FRAME SURFACES ARE FLUSH AS NOTED IN SECTION VIEWS ABOVE. IF NOT, TIGHTEN OR LOOSEN SCREWS TO ALLOW FRAME TO BECOME FLUSH WITH DOOR.
7. APPLY A BEAD OF SILICONE TYPE CAULKING AROUND THE INSIDE PERIMETER OF THE FRAME TO FILL VOID BETWEEN WALL OPENING AND DOOR FRAME.
8. SEE REVERSE SIDE OF SHEET FOR DOOR HANDLE INSTALLATION INSTRUCTIONS.

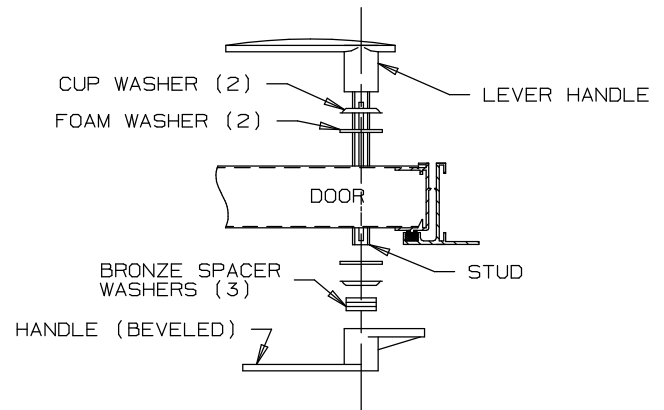
HANDLE INSTALLATION INSTRUCTIONS

(REFER TO APPROPRIATE DRAWING BELOW)

1", 1 1/2", & 2" DEEP DOORS (OUT-OPENING)



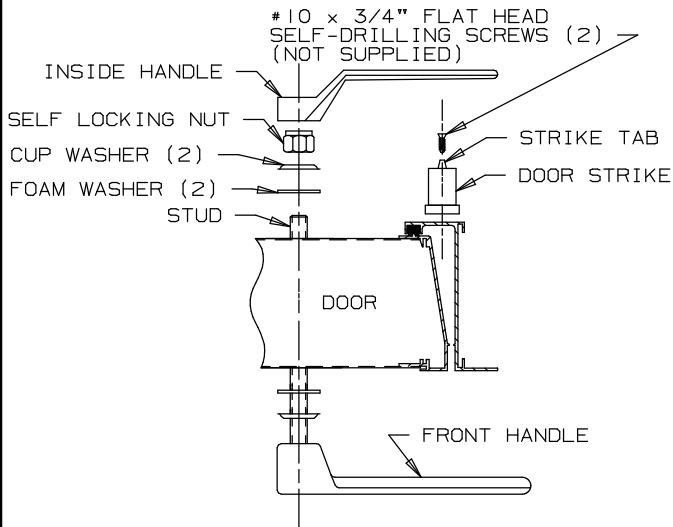
1", 1 1/2", & 2" DEEP DOORS (IN-OPENING)



NOTE: * HANDLE WITH BEVELLED FLANGE GOES ON THE OUTSIDE OF DOOR FOR IN OPENING DOORS AND ON THE INSIDE FOR OUT OPENING DOORS.

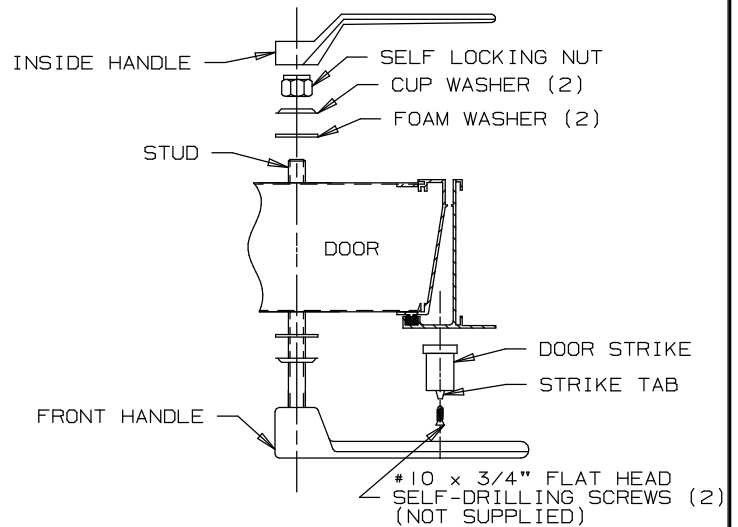
9. SLIDE CUP WASHER AND FOAM WASHER ONTO LEVER HANDLE STUD AND INSERT STUD THROUGH DOOR.
10. SLIDE FOAM WASHER, CUP WASHER AND BRONZE SPACER WASHERS ONTO STUD.
11. SLIDE HANDLE WITH BEVELLED FLANGE ONTO STUD.
12. WHILE PRESSING HANDLES TOGETHER, SECURE HANDLE WITH BEVELLED FLANGE TO STUD.
13. CLOSE DOOR AND MOVE HANDLE TO FULLY LATCHED POSITION. IF THE GASKET DOES NOT COMPRESS, OR LATCHING IS TOO DIFFICULT, ADJUST BEVELLED HANDLE.

4" DEEP DOORS (OUT-OPENING)



9. SLIDE CUP WASHER AND FOAM RUBBER WASHER ONTO FRONT HANDLE STUD AND INSERT STUD INTO DOOR.
10. PLACE FOAM RUBBER WASHER AND CUP WASHER ONTO THE STUD AND THEN THREAD ON SELF-LOCKING NUT UNTIL HANDLE IS SNUG, BUT STILL CAN TURN EASILY.
11. FASTEN DOOR STRIKE TO OUTSIDE OF DOOR FRAME WITH TWO #10 x 3/4" FLAT HEAD, SELF-DRILLING SCREWS SO THE MIDDLE OF THE DOOR STRIKE IS LINED UP WITH THE CENTER OF STUD. THE DOOR STRIKE TAB SHOULD BE ON THE LOWER SIDE SO THAT THE FRONT HANDLE RESTS ON TOP OF IT WHEN IN THE CLOSED POSITION.
12. SLIDE INSIDE HANDLE ONTO STUD, MAKING SURE SET SCREW IS LINED UP WITH FLAT SIDE OF THE THREADS ON THE STUD AND SECURE IN PLACE WITH THE SET SCREW.
13. CLOSE DOOR AND MOVE HANDLE TO FULLY LATCHED POSITION. IF THE GASKET DOES NOT COMPRESS, OR LATCHING HANDLE IS TOO DIFFICULT, ADJUST THE SELF LOCKING NUT ACCORDINGLY.

4" DEEP DOORS (IN OPENING)



9. SLIDE CUP WASHER AND FOAM RUBBER WASHER ONTO FRONT HANDLE STUD AND INSERT STUD INTO DOOR.
10. PLACE FOAM RUBBER WASHER AND CUP WASHER ONTO THE STUD AND THEN THREAD ON SELF-LOCKING NUT UNTIL HANDLE IS SNUG, BUT STILL CAN TURN EASILY.
11. FASTEN DOOR STRIKE TO OUTSIDE OF DOOR FRAME WITH TWO #10 x 3/4" FLAT HEAD, SELF-DRILLING SCREWS SO THE MIDDLE OF THE DOOR STRIKE IS LINED UP WITH THE CENTER OF STUD. THE DOOR STRIKE TAB SHOULD BE ON THE LOWER SIDE SO THAT THE FRONT HANDLE RESTS ON TOP OF IT WHEN IN THE CLOSED POSITION.
12. SLIDE INSIDE HANDLE ONTO STUD, MAKING SURE SET SCREW IS LINED UP WITH FLAT SIDE OF THE THREADS ON THE STUD AND SECURE IN PLACE WITH THE SET SCREW.
13. CLOSE DOOR AND MOVE HANDLE TO FULLY LATCHED POSITION. IF THE GASKET DOES NOT COMPRESS, OR LATCHING HANDLE IS TOO DIFFICULT, ADJUST THE SELF LOCKING NUT AND 1/4" LOCKING COLLAR ACCORDINGLY.



Duct Access Doors

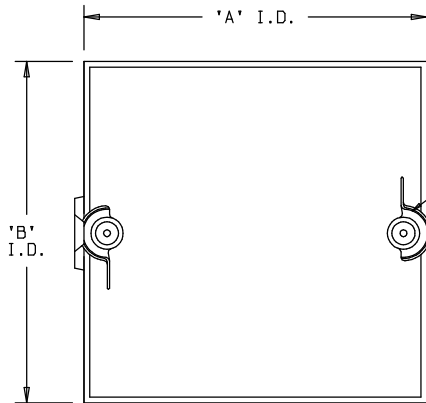
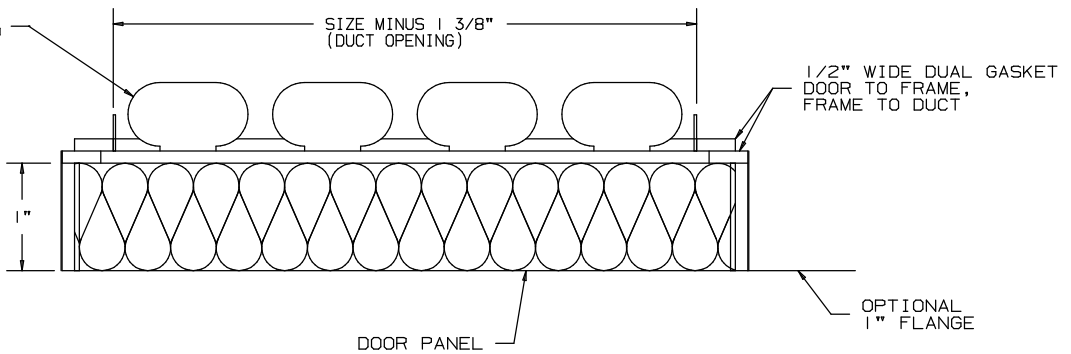
1035 [ADD](#)

1036 [ADG](#)

FRAME WITH NOTCHED
KNOCK-OVER EDGES

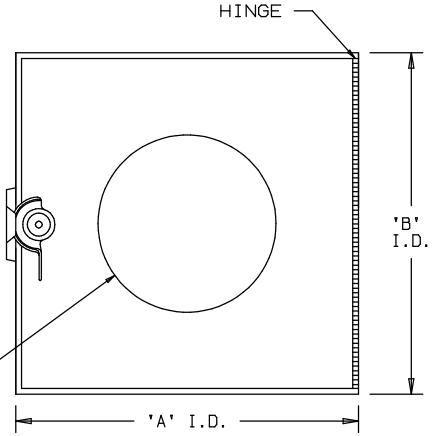
SIZE MINUS 1/8"
(DUCT OPENING)

1/2" WIDE DUAL GASKET
DOOR TO FRAME,
FRAME TO DUCT



MODEL ADD10C

CAM LATCH



MODEL ADG10H

SCHEDULE

ITEM	MODEL - QUANTITY		NOMINAL SIZE	'A' WIDTH	'B' HEIGHT	DUCT OPENING	LATCH(ES) QTY.		IDENTIFICATION
	10H	10C					10H	10C	
			6 x 6	6	6	4 x 4	1	2	
			8 x 8	8	8	6 x 6	1	2	
			10 x 10	10	10	8 x 8	1	2	
			12 x 12	12	12	10 x 10	1	2	
			14 x 14	14	14	12 x 12	3	4	
			16 x 16	16	16	14 x 14	3	4	
			18 x 18	18	18	16 x 16	3	4	
			20 x 20	20	20	18 x 18	3	4	
			24 x 24	24	24	22 x 22	3	4	

NOTES

1. HINGE ALWAYS FURNISHED ON 'B' OR HEIGHT DIMENSION.
 ADG 15C - GLASS, CAMMED, SINGLE PANEL
 ADG 15H - GLASS, HINGED, SINGLE PANEL
 ADG 10C - GLASS, CAMMED, DOUBLE PANEL
 ADG 10H - GLASS, HINGED, DOUBLE PANEL

AVAILABLE GLASS FOR HDG
 S= SINGLE STRENGTH GLASS
 W= 1/4" WIRE GLASS
 P= 1/8" PLEXI GLASS

GLASS SIZES
 UNDER 10x10 = 3" DIA.
 10x10 TO 16x16 = 6" DIA.
 16x16 TO 24x24 = 8" DIA.

SPECIFICATIONS

<p><u>FRAME</u></p> <p>22 GA. GALVANIZED STEEL</p>	<p><u>GASKET</u></p> <p>P.V.C. FOAM TAPE</p>	<p><u>LATCH(ES)</u></p> <p>GALV. STEEL SASH TYPE W/ GALV. STEEL STRIKE(S)</p>
<p><u>DOOR PANELS</u></p> <p>24 GA GALVANIZED STEEL</p>	<p><u>HINGE</u></p> <p>ZINC PLATED STEEL CONTINUOUS TYPE</p>	<p><u>FINISH</u></p> <p>MILL</p>
<p><u>INSULATION</u></p> <p>1" THICK FIBERGLASS</p>		

PROJECT/LOCATION
ARCHITECT/ENGINEER
CONTRACTOR
SALES ENGINEER
<p>ARROW UNITED INDUSTRIES A DIVISION OF MESTEK, INC. 314 RIVERSIDE DRIVE WYALUSING, PA 18853 TEL: (570) 746-1888 FAX: (570) 746-9286</p>

DUCT ACCESS DOOR - MODELS ADD/ADG

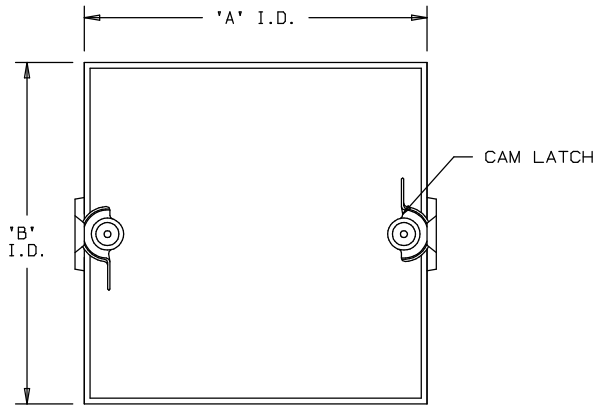
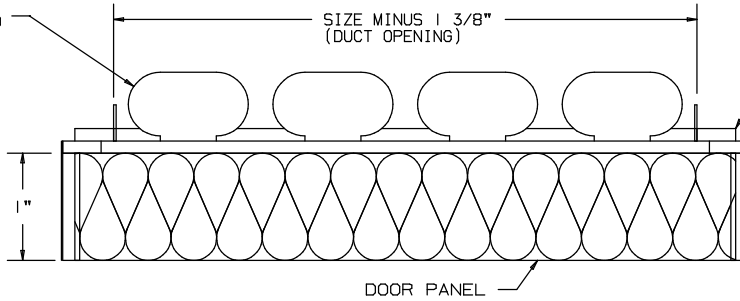
DRAWN BY
EMG
DATE
12/30/03

DRAWING NO.
F051-300

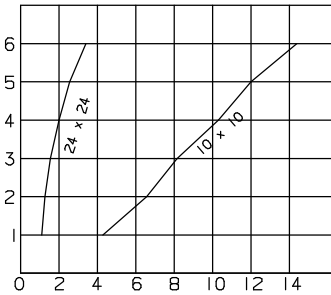
FRAME WITH NOTCHED
KNOCK-OVER EDGES

SIZE MINUS 1/8"
(DUCT OPENING)

1/2" WIDE DUAL GASKET
DOOR TO FRAME,
FRAME TO DUCT



STATIC PRESSURE IN. W.G.



LEAKAGE, CFM/SQ. FT.

MODEL ADD10C

SCHEDULE

ITEM	MODEL - QUANTITY		NOMINAL SIZE	'A' WIDTH	'B' HEIGHT	DUCT OPENING	LATCH(ES) QTY.	IDENTIFICATION
	10H	10C						
			6 x 6	6	6	4 x 4	2	
			8 x 8	8	8	6 x 6	2	
			10 x 10	10	10	8 x 8	4	
			12 x 12	12	12	10 x 10	4	
			14 x 14	14	14	12 x 12	4	
			16 x 16	16	16	14 x 14	4	
			18 x 18	18	18	16 x 16	4	
			20 x 20	20	20	18 x 18	4	
			24 x 24	24	24	22 x 22	4	

NOTES

- HIGH PRESSURE ACCESS DOORS TESTED TO PRESSURES UP TO 6" W.G. WHEN PROPERLY INSTALLED. SEE CHARTS
- CAM LATCHES ONLY, GLASS PORTS NOT AVAILABLE.

SPECIFICATIONS

FRAME

22 GA.
GALVANIZED STEEL

GASKET
NEOPRENE

LATCH(ES)

GALV. STEEL SASH TYPE
W/ GALV. STEEL STRIKE(S)

DOOR PANELS

24 GA
GALVANIZED STEEL

FINISH

MILL

INSULATION

1" THICK FIBERGLASS

PROJECT/LOCATION

ARCHITECT/ENGINEER

CONTRACTOR

SALES ENGINEER



ARROW UNITED INDUSTRIES
A DIVISION OF MESTEK, INC.
314 RIVERSIDE DRIVE
WYALUSING, PA 18853
TEL: (570) 746-1888
FAX: (570) 746-9286

DUCT ACCESS DOOR - MODELS ADD 10CH HIGH PRESSURE

DRAWN BY
EMG
DATE
12/30/03

DRAWING NO.
F051-305