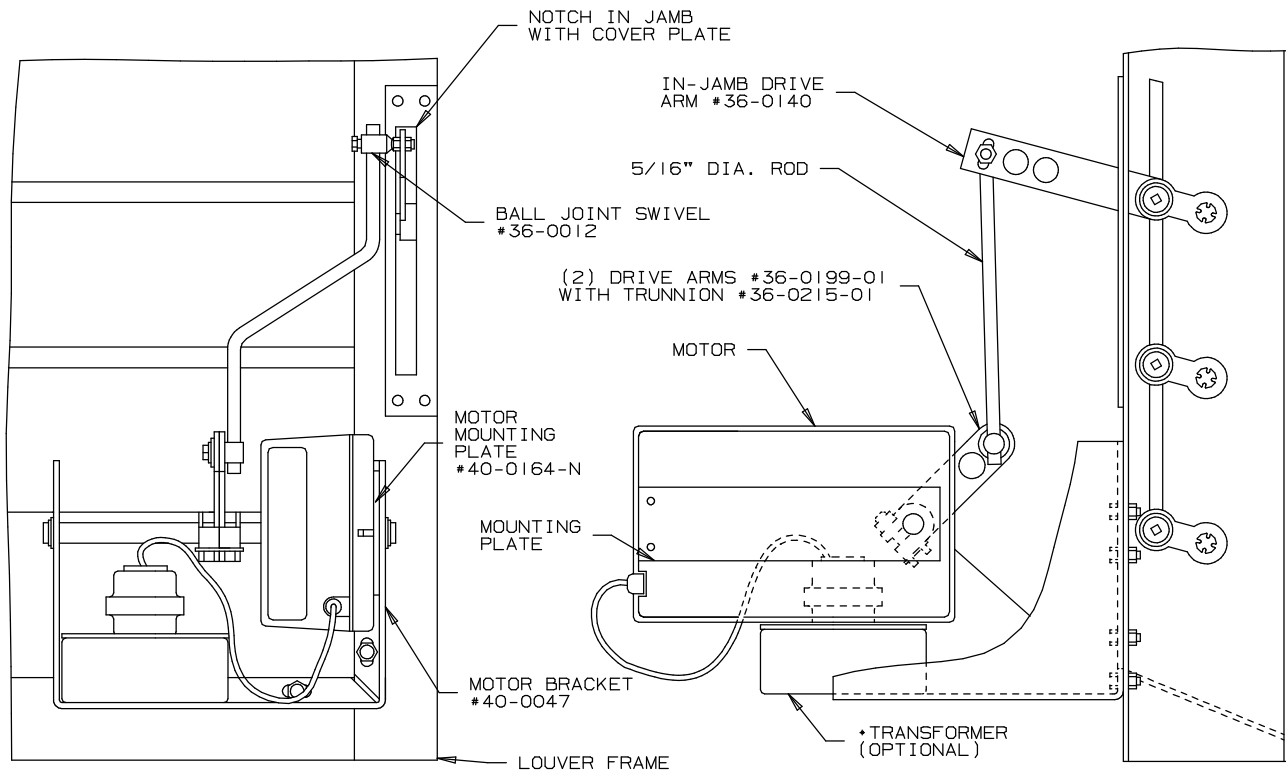


TYPICAL INSTALLATION FOR DAMPERS

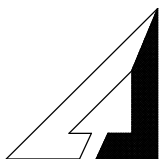
IN-JAMB DRIVE (SEE BELOW) IS ALSO AVAILABLE FOR MOST DAMPERS



TYPICAL INSTALLATION FOR ADJUSTABLE LOUVERS

NOTE:
AVAILABLE FOR FIELD OR FACTORY ADD TO MOTORS ARE SWITCH PACKAGES (SINGLE OR DUAL) AND FEED-BACK POTENTIOMETERS.

* STANDARD MOTOR IS 24 VAC, FOR 110 VAC, ADD TRANSFORMER.



ARROW UNITED INDUSTRIES
A DIVISION OF MESTEK, INC.

314 RIVERSIDE DRIVE
WYALUSING, PA 18853

TEL: (717) 746-1888 FAX: (717) 746-9286

AGENT: _____

INSTALLATION
BELIMO SM-24xxx
(MODULATING)
ELECTRIC MOTORS