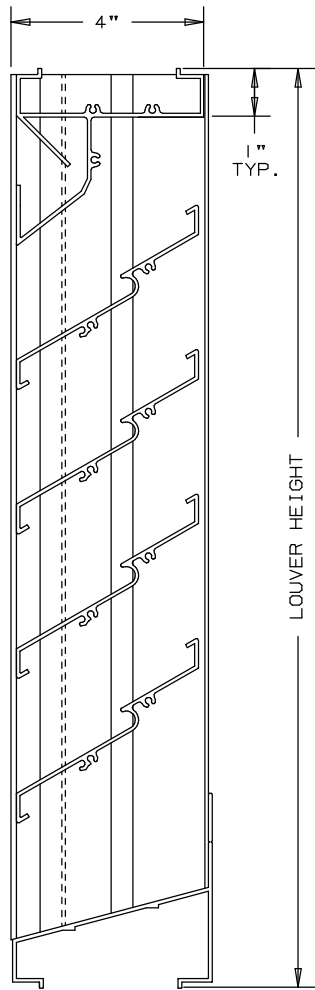


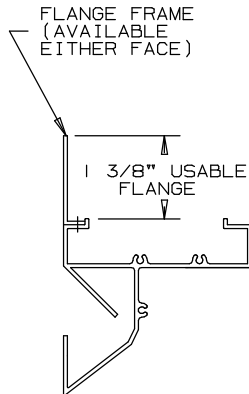
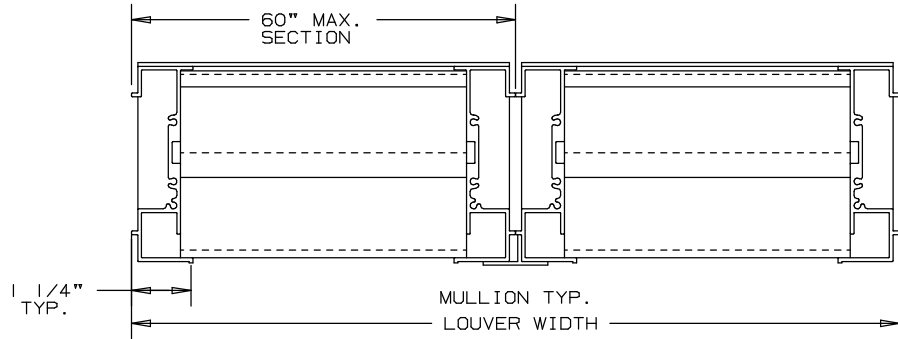
# ARROW EXTRUDED ALUMINUM LOUVERS 4" DEEP

# TYPE EA-430

BAFFLE BLADE - STATIONARY - 30° BLADES



NOT TO SCALE



FLANGE FRAME  
OPTION

### SPECIFICATIONS

MATERIAL: EXTRUDED ALUMINUM 6063-T52/T6 ALLOY  
.081" THK.  
FACE OF LOUVER: FULL WIDTH SILL WITH HEAD AND  
BLADES CONTAINED WITHIN JAMBS.  
APPROXIMATE BLADE CENTERS 3".  
SCREEN: (WHEN INDICATED, IN A REMOVABLE FRAME)  
BIRD SCREEN - 1/2" FLATTENED ALUMINUM, .051" THK.  
OR - 1/2" SQ. MESH INTERMEDIATE DOUBLE-  
CRIMPED ALUMINUM WIRE, .063" DIA.  
OR - 18/16 MESH, .011" DIA. ALUMINUM  
WIRE INSECT SCREEN.

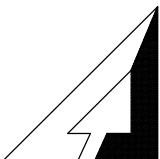
FINISH: \_\_\_\_\_

MINIMUM PANEL SIZE: 12" x 12"  
MAXIMUM SINGLE PANEL SIZE: 60" x 96"

FOR PERFORMANCE DATA  
-SEE REVERSE SIDE

NOMINAL DEDUCTIONS WILL BE MADE TO THE OPENING SIZE GIVEN.

ITEM	QTY.	WIDTH	HEIGHT	WIDTH	HEIGHT	MULL	TYPE	LOC	SCREENS	 UNION MADE
		OPENING SIZE		LOUVER SIZE						



**ARROW UNITED INDUSTRIES**  
A DIVISION OF MESTEK, INC.

314 RIVERSIDE DRIVE  
WYALUSING, PA 18853

TEL: (570) 746-1888 FAX: (570) 746-9286

AGENT: \_\_\_\_\_

ARCH./ENG.:

CONTR.:

PROJECT:

EDR: ECN: JOB:

DATE: DWN.: DWG.:

# LOUVER MODEL EA-430

## 30° BAFFLE BLADE

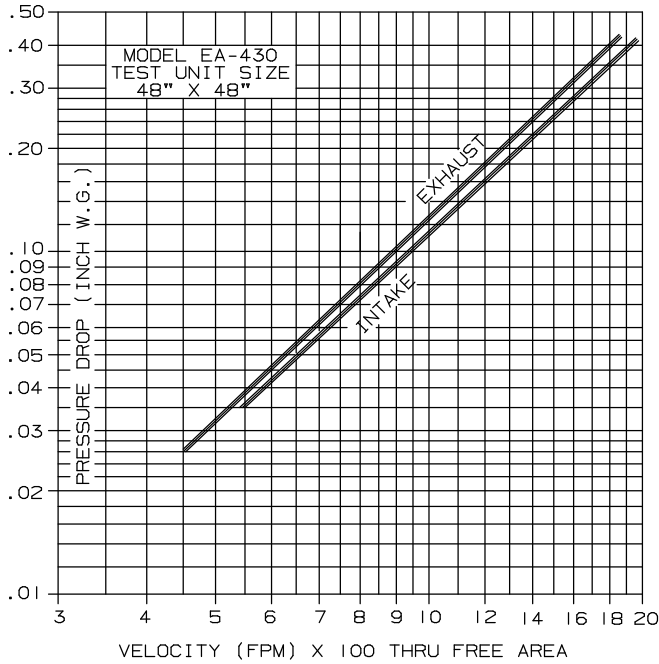
### EXTRUDED ALUMINUM - STATIONARY

## PERFORMANCE DATA

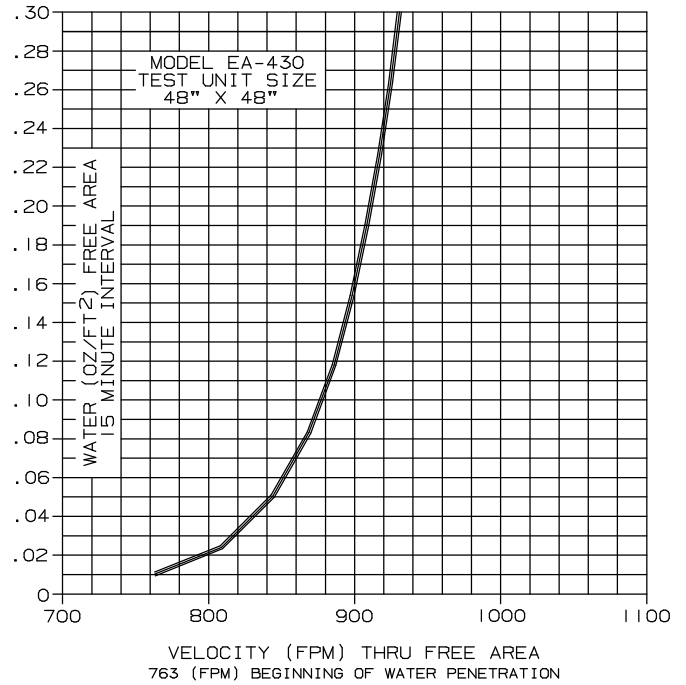
TESTS OF A 48" X 48" SAMPLE BY AN •AMCA REGISTERED LABORATORY ACCORDING TO AMCA STANDARD 500 SHOWS LOW WATER PENETRATION. TESTS SHOW LESS THAN .02 OZ. PER SQ. FT. WATER PENETRATION AT 760 FPM (FREE AREA VELOCITY) WITH LESS THAN .08" W.G. PRESSURE DROP (INTAKE).

RATINGS DO NOT INCLUDE THE EFFECT OF BIRDSCREEN.

### PRESSURE DROP



### WATER PENETRATION



### FREE AREA

		FREE AREA (SQ. FT.)								
		WIDTH								
HEIGHT		12"	18"	24"	30"	36"	42"	48"	54"	60"
		12"	.32	.51	.71	.91	1.10	1.30	1.50	1.70
	24"	.74	1.21	1.68	2.15	2.62	3.08	3.55	4.02	4.49
	36"	1.17	1.91	2.65	3.39	4.13	4.87	5.61	6.35	7.08
	48"	1.60	2.61	3.62	4.63	5.64	6.65	7.66	8.67	9.68
	60"	2.03	3.31	4.59	5.87	7.15	8.43	9.71	10.99	12.28
	72"	2.46	4.01	5.56	7.11	8.66	10.22	11.77	13.32	14.87
	84"	2.89	4.71	6.53	8.35	10.18	12.00	13.82	15.64	17.47
	96"	3.32	5.41	7.50	9.60	11.69	13.78	15.88	17.97	20.06

• AMCA REGISTERED LABORATORY IS A LABORATORY EQUIPPED AND STAFFED TO CONDUCT TESTS ACCORDING TO THE APPROPRIATE AMCA TESTS METHOD AND WHICH HAS BEEN LICENSED AS A AMCA REGISTERED LABORATORY.

