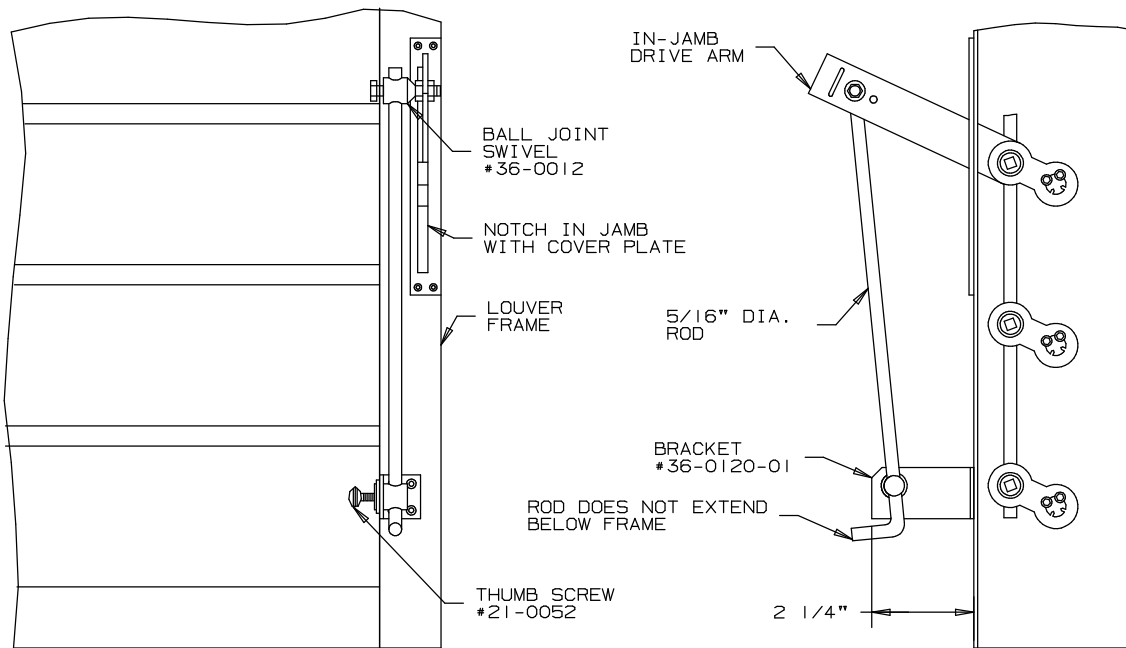



TYPICAL WING SCREW OPERATOR CONNECTED TO BLADE



TYPICAL WING SCREW OPERATOR CONNECTED TO BLADE SHAFT


ARROW UNITED INDUSTRIES
 A DIVISION OF MESTEK, INC.
 314 RIVERSIDE DRIVE
 WYALUSING, PA 18853
 TEL: (717) 746-1888 FAX: (717) 746-9286
 AGENT: _____

INSTALLATION,
 0-13 WING SCREW
 OPERATOR