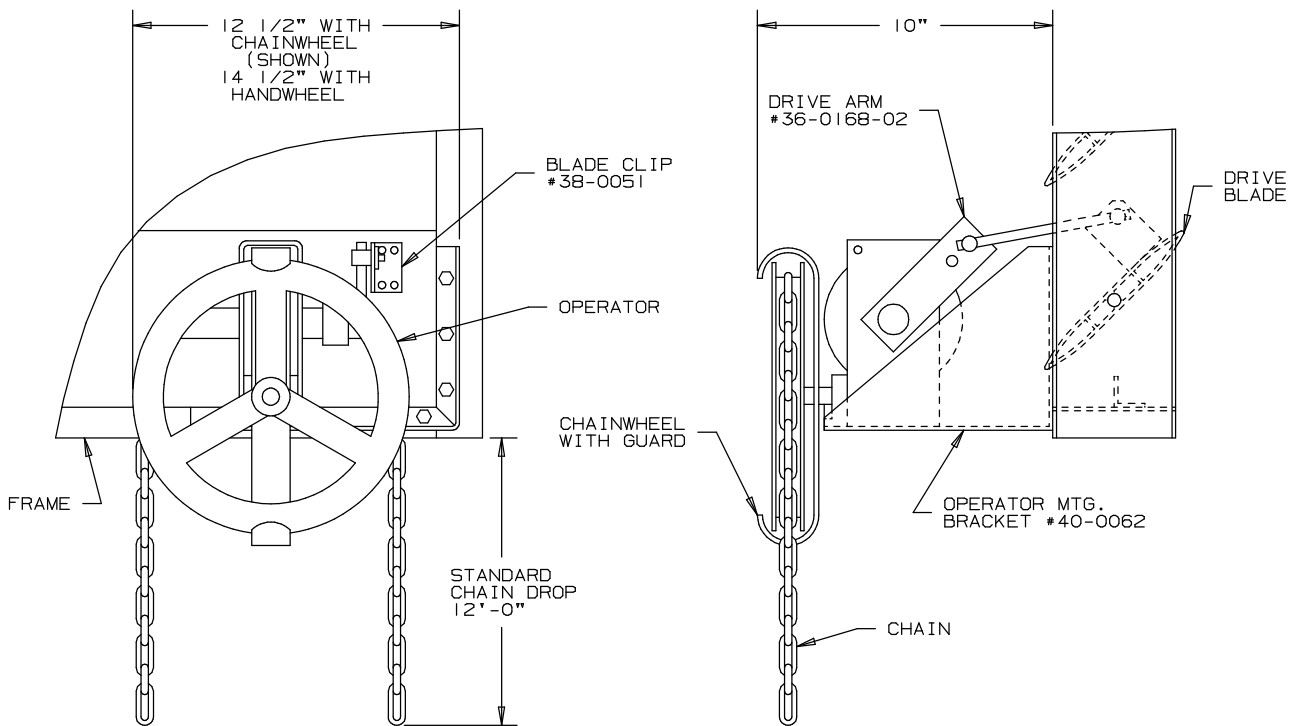
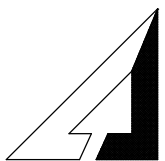


TYPICAL EXTERNAL MOUNTING ARRANGEMENT



TYPICAL INTERNAL MOUNTING ARRANGEMENT

NOTE: OPERATORS ARE AVAILABLE WITH EITHER CHAINWHEEL OR 12" DIAMETER HANDWHEEL.
PLEASE CONSULT FACTORY FOR OTHER MOUNTING CONDITIONS.
DIMENSIONS SHOWN ABOVE ARE APPROXIMATE.



ARROW UNITED INDUSTRIES
A DIVISION OF MESTEK, INC.

314 RIVERSIDE DRIVE
WYALUSING, PA 18853

TEL: (717) 746-1888 FAX: (717) 746-9286

AGENT: _____

TYPICAL
INSTALLATION
MODEL O-81 GEAR
OPERATOR 24:1